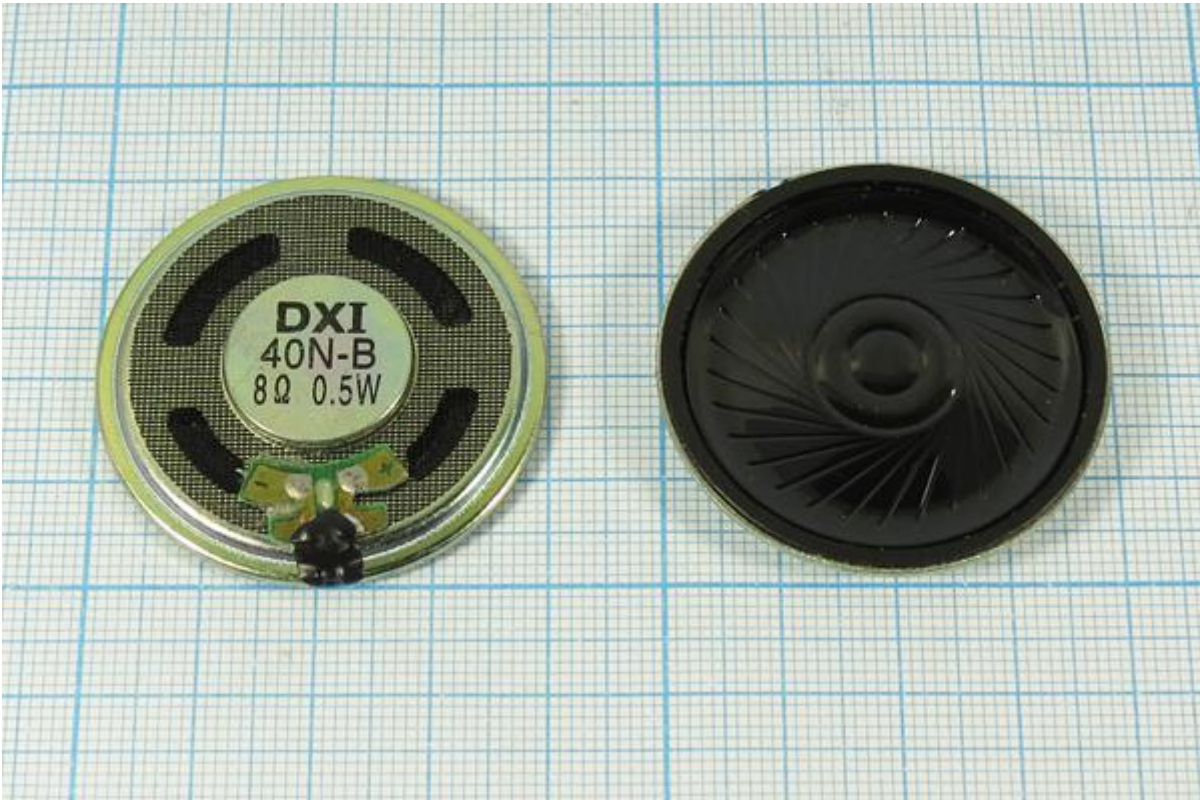
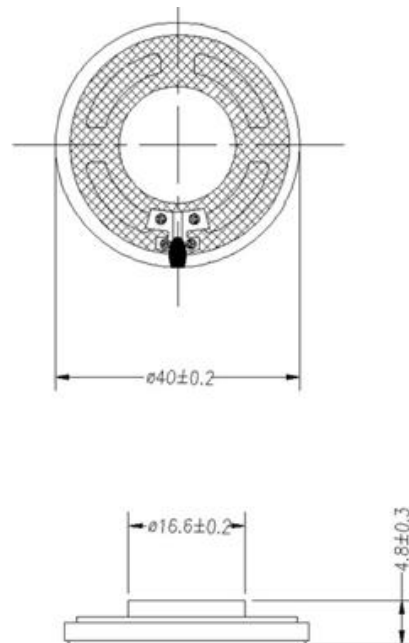
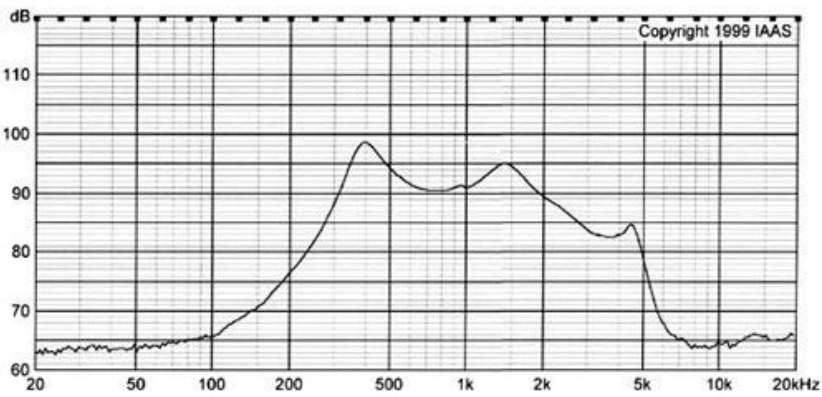


DXI40N-B mylar speaker



Product Details



Model	DXI40N-B
Impedance	8, 16, 32 ohm
Nominal Power	0.5 w
Maximum Power	0.8 w
Resonance Frequency (Fo)	300,350 Hz
Response:	200~5KHz
S.P.L:	88 \pm 2, 82 \pm 2, 80 \pm 2 dB
Height	4.8 mm