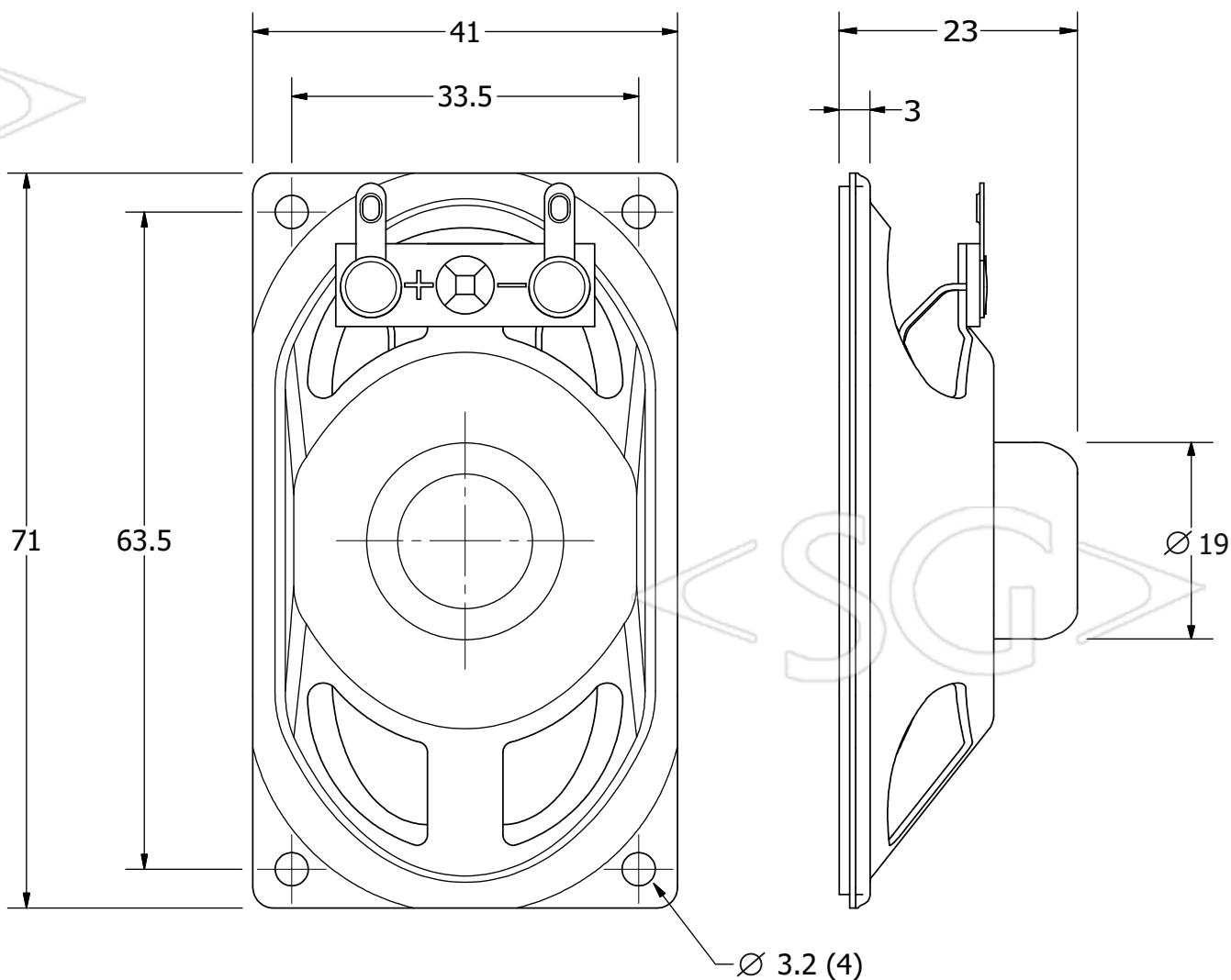


SPECIFICATIONS

| PARAMETERS | VALUES | UNITS |
|---|--------------|-------|
| RATED INPUT POWER | 1 | Wt |
| MAX INPUT POWER | 2 | Wt |
| IMPEDANCE | 8 ± 15% | OHM |
| OUTPUT SPL @ 1W/0.5M (AT 1.0, 1.2, 1.5, 2.0 kHz) | 88 ± 2 | dBa |
| DISTORTION (MAX.) | 7% | - |
| RESONANT FREQUENCY | 350 ± 20% | Hz |
| FREQUENCY RANGE | 350 ~ 20,000 | Hz |
| HOUSING MATERIAL | METAL | - |
| CONE MATERIAL | PAPER | - |
| CONE EDGE MATERIAL | FOAM RUBBER | - |
| MAGNET MATERIAL | Nd-Fe-B | - |
| OPERATING TEMPERATURE | -10 ~ +55 | °C |
| WEIGHT | 42 | grams |



Замечание:

Все размеры даны в миллиметрах.

| UNLESS OTHERWISE SPECIFIED: DIMENSIONS ARE IN MILLIMETERS, TOLERANCES ARE ±0.5 AND ANGLES ARE ±3°. | SIZE A3 | Designed by | Date | Checked by | Date | Approved by | Date | Drawn Date | | | | |
|--|------------|-------------|------|------------|------|-------------|------|------------|--|---|---------|-------|
| | | YDT4070-01 | | | | | | Speaker | | <table border="1"> <tr> <td>Edition</td> <td>Sheet</td> </tr> <tr> <td>-</td> <td>1 / 1</td> </tr> </table> | Edition | Sheet |
| Edition | Sheet | | | | | | | | | | | |
| - | 1 / 1 | | | | | | | | | | | |