

PRODUCT SPECIFICATION

TYPE: Dynamic	PART No:	
----------------------	-----------------	--

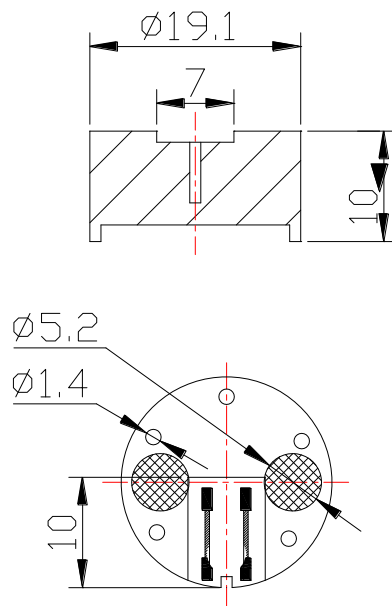
1. Model No: DM-1910K

2. Application: This model microphone unit for karaoke sound OK, home audio, speech conference grade

3. Specifications:

Type:	Dynamic
Net weight:	3.7g
Unit dimensions:	Consult appearance size
Impedance:	250 Ω ±15% at 1KHz
Pattern:	UNI-Directional ≥10dB
Sensitivity:	-58dB ± 3dB (1KHz)
Frequency Response:	100Hz~10KHz See response curve

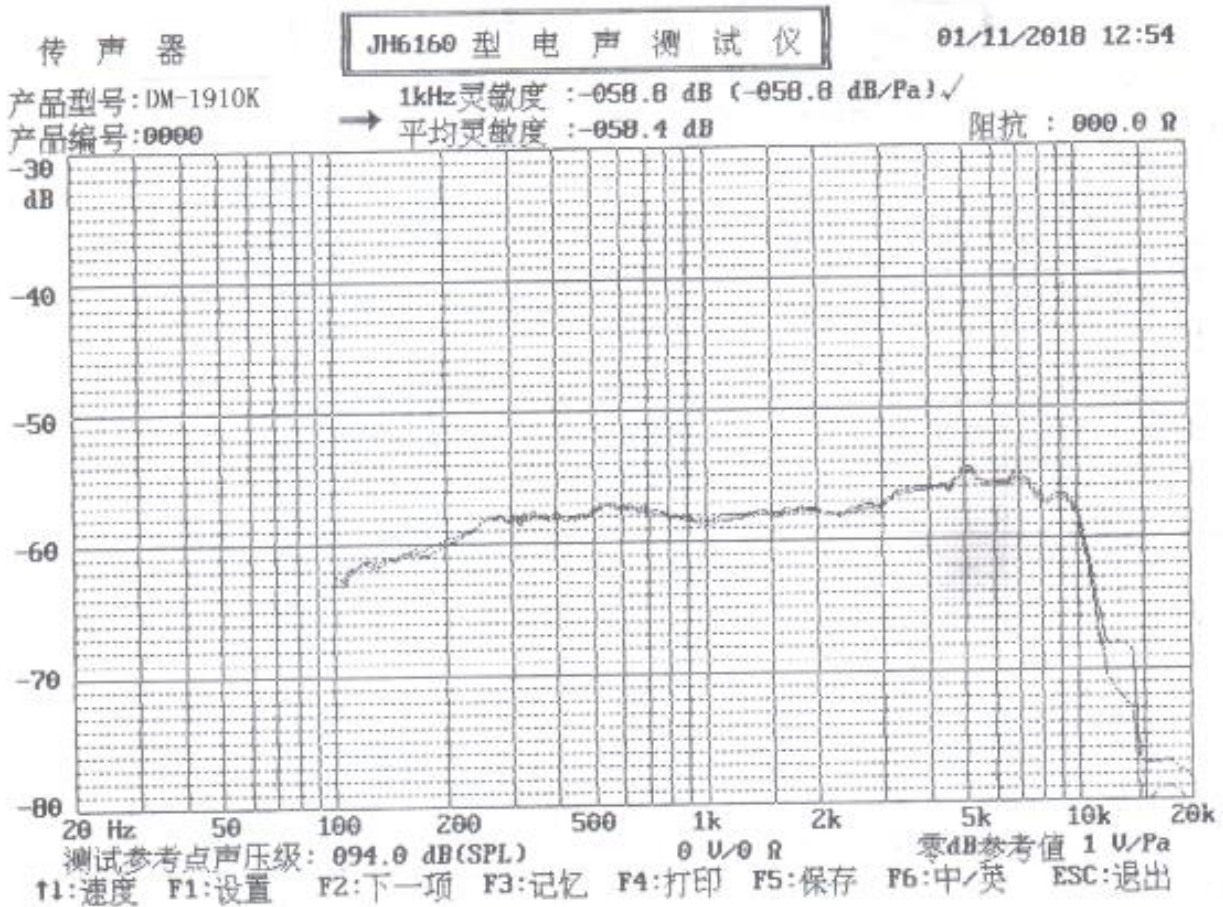
4. Appearance Size:



PRODUCT SPECIFICATION

TYPE: Dynamic	PART No:	
----------------------	-----------------	--

5. Response Curve



6. Storage And Judgement Conditions:

	Temperature Range(°C)	Rel. Humidity(%)	Static Pressure (kPa)
Judgement	19~21	60~70	86~106
Storage	-25~60		
Operating	-20~55		

PRODUCT SPECIFICATION

TYPE: Dynamic	PART No:	
----------------------	-----------------	--

7. Condition Test:

After below every test item the sensitivity to be within $\pm 3\text{dB}$ from initial sensitivity for unit.

7.1 High temperature test:

■ Temperature $60 \pm 3^\circ\text{C}$, Humidity 20-50% in constant temperature box 96 hours, normal temperature lay 6 hours.

7.2 Low temperature test:

■ Temperature $-25 \pm 3^\circ\text{C}$, Humidity 20-50% in constant temperature box 96 hours, normal temperature lay 6 hours.

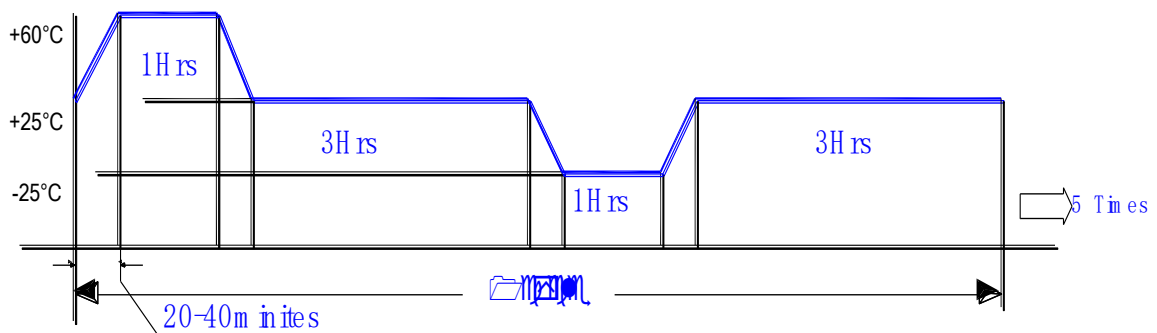
7.3 Humidity test:

■ After exposure at 40°C and 90-95% relative humidity for 96 hours, normal temperature lay 6 hours.

7.4 Temperature cycle test:

■ From normal temperature to require temperature those require hours 20-40 minute.

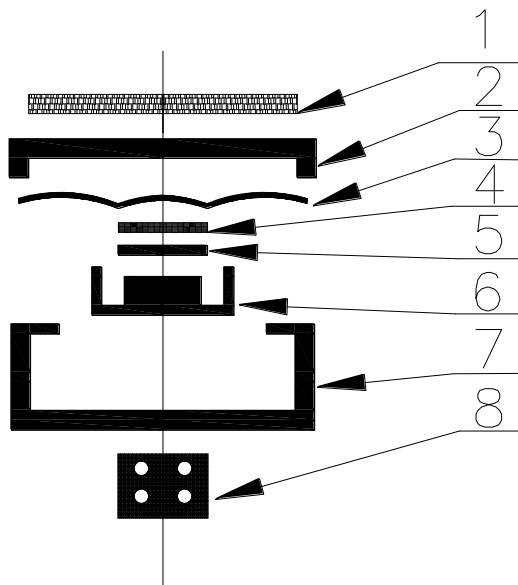
temperature: $+60^\circ\text{C} \pm 3^\circ\text{C}$ last out 1 hours (normal temperature lay 3 hours)
 temperature: $-25^\circ\text{C} \pm 3^\circ\text{C}$ last out 1 hours (normal temperature lay 3 hours)



PRODUCT SPECIFICATION

TYPE: Dynamic	PART No:	
----------------------	-----------------	--

8.



NO.	PARTS
1	Sponge
2	Cover
3	Diaphragm
4	Coil
5	Magnetic steel
6	Iron pots
7	Holder
8	PCB+Tin

NO	Part name	Material type	Qty	Origin	Manufacture	Remarks
1	Sponge	Sponge	1			
2	Cover	ABS	1			
3	Diaphragm	PET	1			
4	Coil	Cu	1			
5	Magnetic steel	NdFeB	1			
6	Iron pots	Iron	1			
7	Holder	ABS	1			
8	PCB+Tin	FR-1	1			