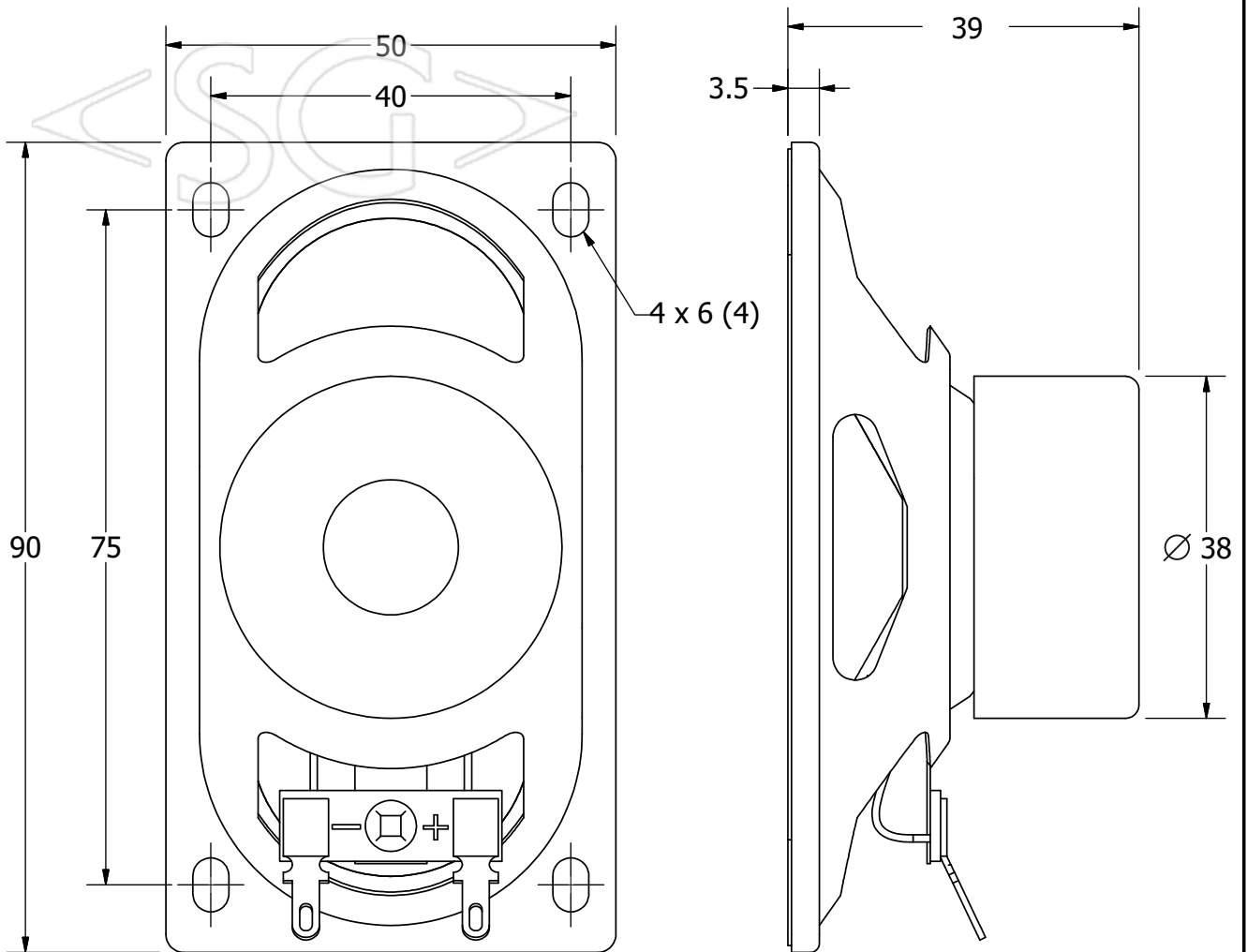
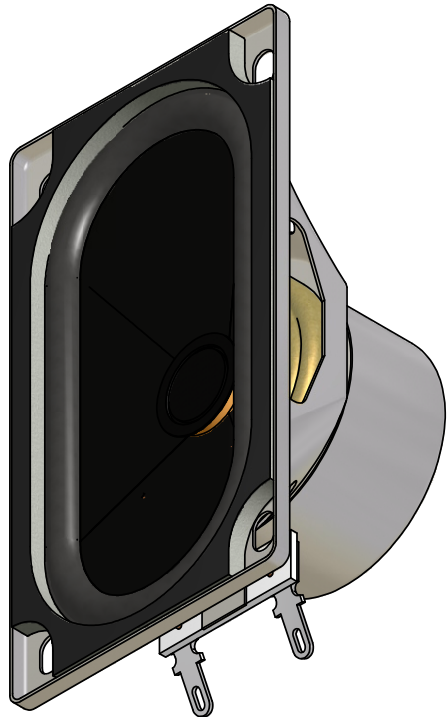


SPECIFICATIONS		
PARAMETERS	VALUES	UNITS
RATED INPUT POWER	3	Wt
MAX INPUT POWER	5	Wt
IMPEDANCE	8 ± 15%	OHM
OUTPUT SPL @ 1W/1M (AT 1.0, 1.2, 1.5, 2.0 kHz)	86 ± 3	dBA
DISTORTION (MAX.)	8%	-
RESONANT FREQUENCY	210 ± 15%	Hz
FREQUENCY RANGE	200 ~ 20,000	Hz
HOUSING MATERIAL	METAL	-
CONE MATERIAL	PAPER	-
CONE EDGE MATERIAL	FOAM RUBBER	-
MAGNET MATERIAL	FERRITE	-
OPERATING TEMPERATURE	-20 ~ +55	°C
WEIGHT	90	grams



**Замечание:**

Все размеры даны в миллиметрах.

UNLESS OTHERWISE SPECIFIED: DIMENSIONS ARE IN MILLIMETERS, TOLERANCES ARE ±0.5 AND ANGLES ARE ±3°.	SIZE <b>A3</b>	Designed by	Date	Checked by	Date	Approved by	Date	Drawn Date
		YDT5090-06						
		Speaker						