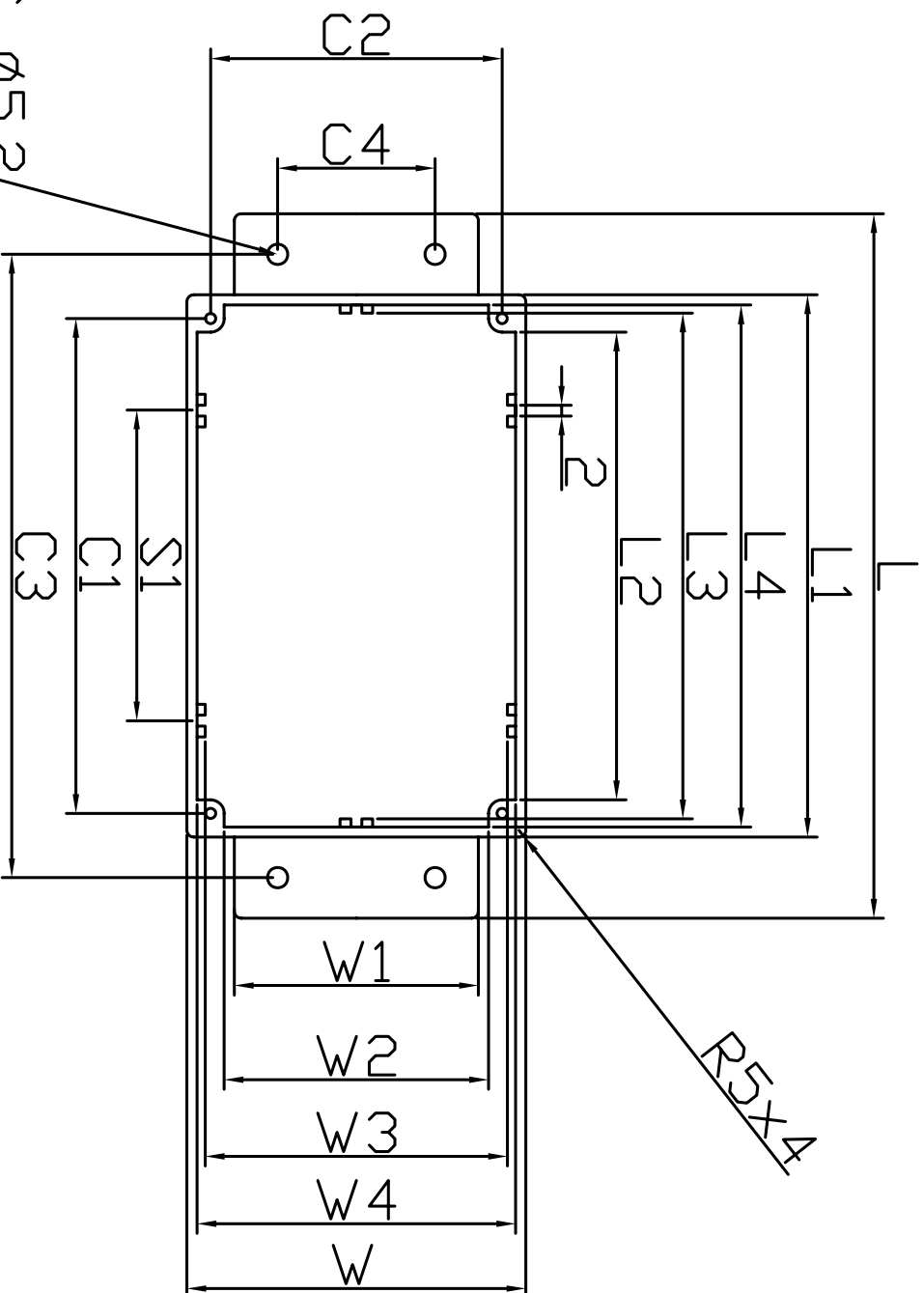


4 HOLES  $\phi 5.2$



Gain'ta Item NO.	L	L1	W	W1	H	C1	C2	C3	C4	S1	L2	L3	L4	W2	W3	W4	H1
B029MF/BS29MF	168.7	139.3	101.6	79.0	76.5	128.8	90.9	157.1	60.1	65.0	122.2	131.2	135.4	84.0	93.1	97.5	70.1
B023MF/BS23MF	149.8	120.1	100.2	80.0	35.6	108.2	88.3	137.0	60.0	45.2	101.8	112.2	116.5	81.9	91.7	95.9	28.8

宣文實業有限公司  
GAIN'TA INDUSTRIES LTD.

設計 BY  
DESIGN BY

繪圖 BY  
DRAWN BY  
Spencer

核圖 BY  
CHECKED BY

比例 SCALE

日期 DATE  
Aug.23.05

材質 MATE.  
ALU ADC12

圖名 TITLE:  
BXXXXMF-4HOLE-6PCB

圖號 DWG NO.

圖號 REVISID

說明 DESCRIPTION