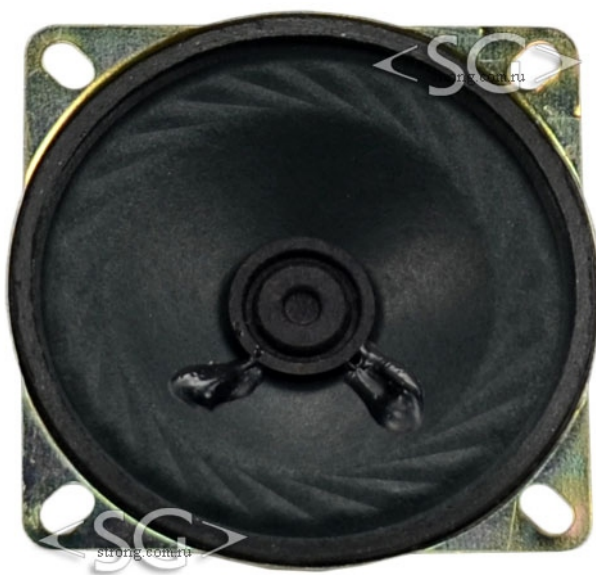


DYNAMIC SPEAKER YD 63-02

Динамик широкополосный открытый магнит YD 63-02
(63mm*63mm* h22,5mm*магнит40mm) 8 Ом 1W (0,5ГДШ-2М)



Динамик широкополосный открытый магнит YD 63-02
 (63mm*63mm* h22,5mm*магнит40mm) 8 Ом 1W (0,5ГДШ-2М)

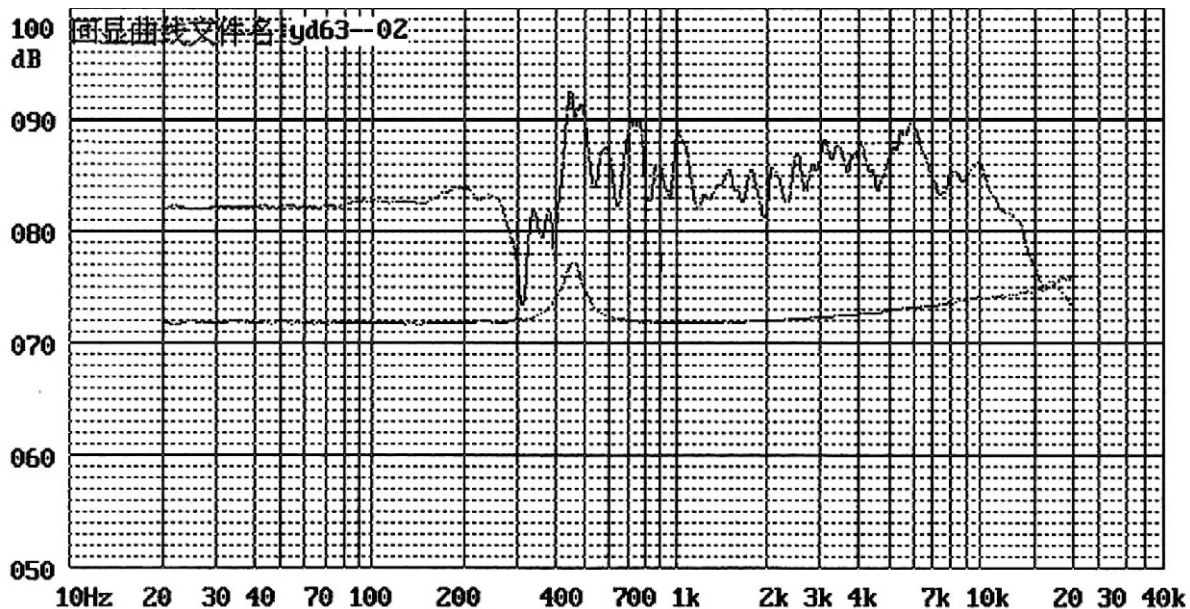


1. Technical Terms

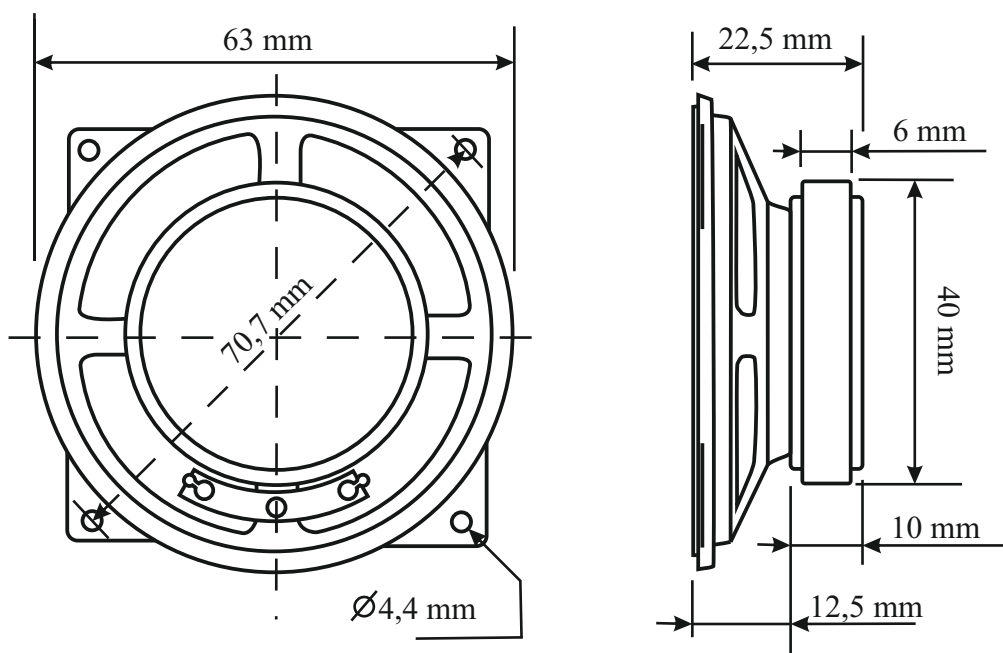
No.	Item	Specifications
1.	Size	O63*22.5mm
2.	Impedance at 1.0KHz/1V	8Ω±15%Ω
3.	Lowest Resonance frequency	450±20Hz
4.	Effective frequency range	fo...12500Hz Max deviation - 12dB
5.	Rated input power	0.5W
6.	Maximum input power	1.0W
7.	Buzz & Rattle(at sine wave4.8V)	must be normal
8.	SPL(1.0W, 1m) at 1KHz	89±2dB
9.	Polarity	Positive voltage to (+), the diaphragm move forward
10.	Magnet	Ferrite O40?6mm
11.	Frame Material	Iron
12.	Membrane	Paper
13.	Weight	75gr
14.	Operating temperature	-10...+65°C
15.	Storage temperature	-40...+70°C

Динамик широкополосный открытый магнит YD 63-02
(63mm*63mm* h22,5mm*магнит40mm) 8 Ом 1W (0,5ГДШ-2М)

2. Frequency curve(1m/1w)



3. Drawing



Динамик широкополосный открытый магнит YD 63-02

4. Reliability Test

4.1 Load test	
Input Power	input 0.5W, pink noise
Duration	24hrs
4.2 Heat test	
Temperature	+45±2°C
Duration	48hrs
4.3 Cold test	
Temperature	-10±2°C
Duration	48hrs
4.4 Moisture test	
Temperature	+45±2°C
Humidity	90%-95%RH
Duration	48hrs

Speakers can be inspected after leaving in normal temperature for 2hrs. After each test, all electrical and acoustic characteristics should be satisfied with the specification.