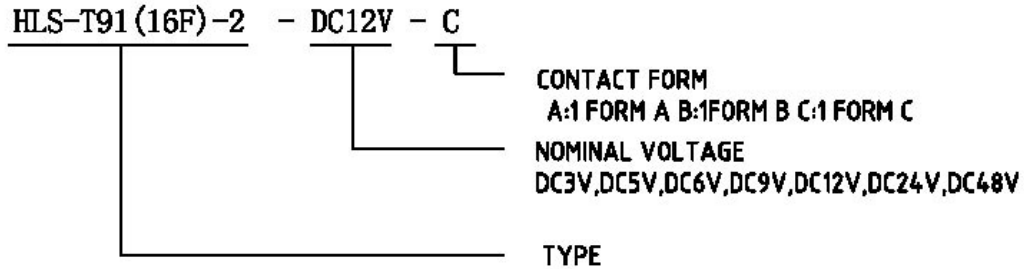




HLS-T91(16F)-2 Series Relay

ORDERING CODE 订购代码



CONTACT DATA 触点参数：

Contact Form	触点形式	1A /1B /1C	
Contact Material	触点材料	AgSnO ₂	
Contact Ratings	触点负载	1A:30A240VAC/20A 28VDC 1B:15A 240VAC/10A 28VDC 1C:20A/10A240VAC/28VDC	
Max Switching Voltage	最大转换电压	250VAC/30VDC	
Max Switching Current	最大转换电流	30A	
Max Switching Power	最大转换功率	6000VA/560W	
Initial Contact Resistance	接触电阻 (首次)	100m Max	at6VDC 1A
Life Expectancy Electrical	电气寿命	100,000	Operations (rated load)
Life Expectancy Mechanical	机械寿命	10,000,000	Operations (no load)

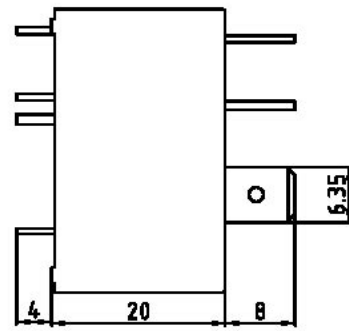
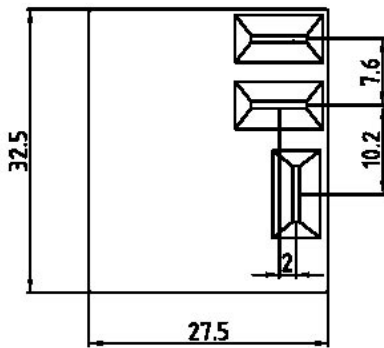
GENERAL DATA 一般参数：

Insulation Resistance	绝缘阻值	100M Min at500VDC	
Dielectric Strength Between Open Contacts	触点间耐压	1500VAC 50-60HZ (1 minute)	
Dielectric Strength Between Contacts And Coil	触点与线圈间耐压	2000VAC 50-60HZ (1 minute)	
Operate Time	吸合时间	15ms max	
Release Time	释放时间	10ms max	
Ambient Temperature	环境温度	-40 to+85	
Shock Resistance 冲击	Malfunction	动作极限	10G
	Destruction	破坏极限	20G
Vibration Resistance	振动	10-55Hz,1.5mm double amplitude	
Ambient humidity	湿度	40-85% RH	
Weight	重量	Approx 32g	
Safety Standard	安全标准	CQC	

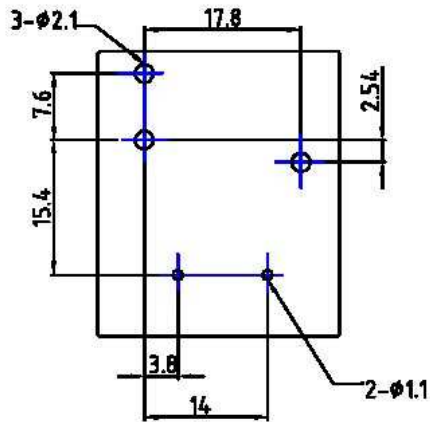
COIL DATA 线圈参数: (@20)

Rated Voltage 额定电压 (VDC)	Coil Resistance (±10%) 线圈阻值 0.93W	Max Operate Voltage 最大吸合电压 (VDC)	Min Release Voltage 最小释放电压 (VDC)	Max Applied Voltage 最大允许电压 (VDC)
3	9.7	2.25	0.15	3.9
5	26.9	3.75	0.25	6.5
6	38.8	4.5	0.3	7.8
9	87.1	6.75	0.45	11.7
12	154.9	9	0.6	15.6
24	619.4	18	1.2	31.2
48	2477.5	36	2.8	62.4

Outline Dimension (mm) 外形尺寸(mm)

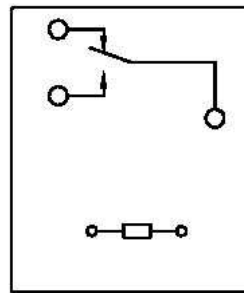


PC Board Layout 安装图



(Bottom View)

Wiring Diagram 接线图



(Bottom View)