

DYNAMIC SPEAKER YD63-01

Динамик широкополосный открытый магнит YD 63-01
(63mm*63mm* h21,5mm*магнит32mm) 8 Ом 1W (0,5ГДШ-2М)



Динамик широкополосный открытый магнит YD 63-01
(63mm*63mm* h21,5mm*магнит32mm) 8 Ом 1W (0,5ГДШ-2М)

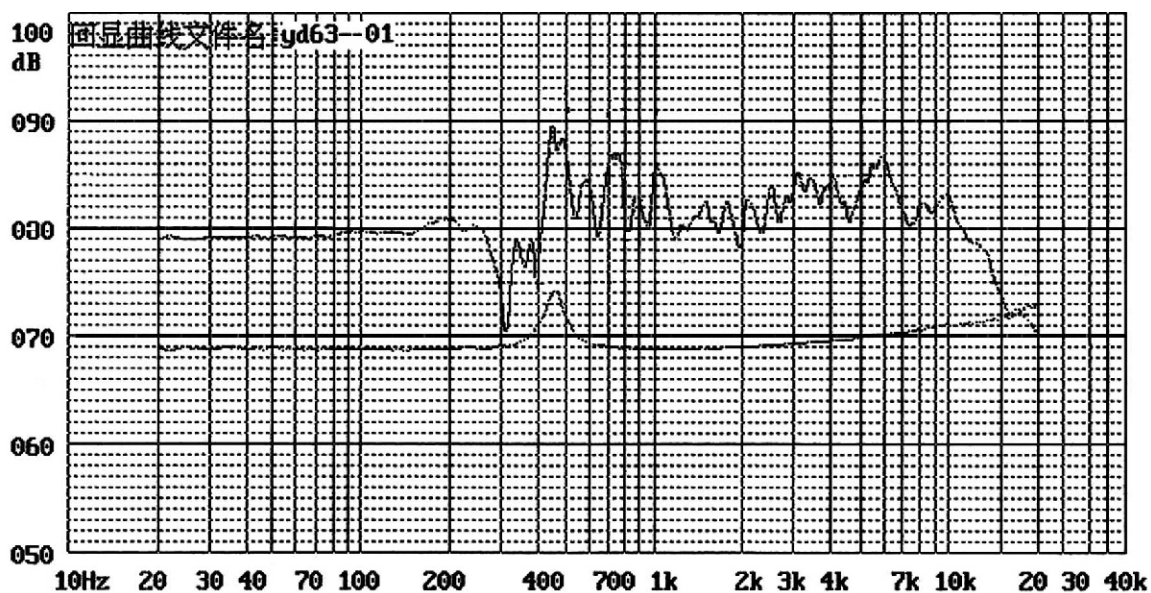


1. Technical Terms

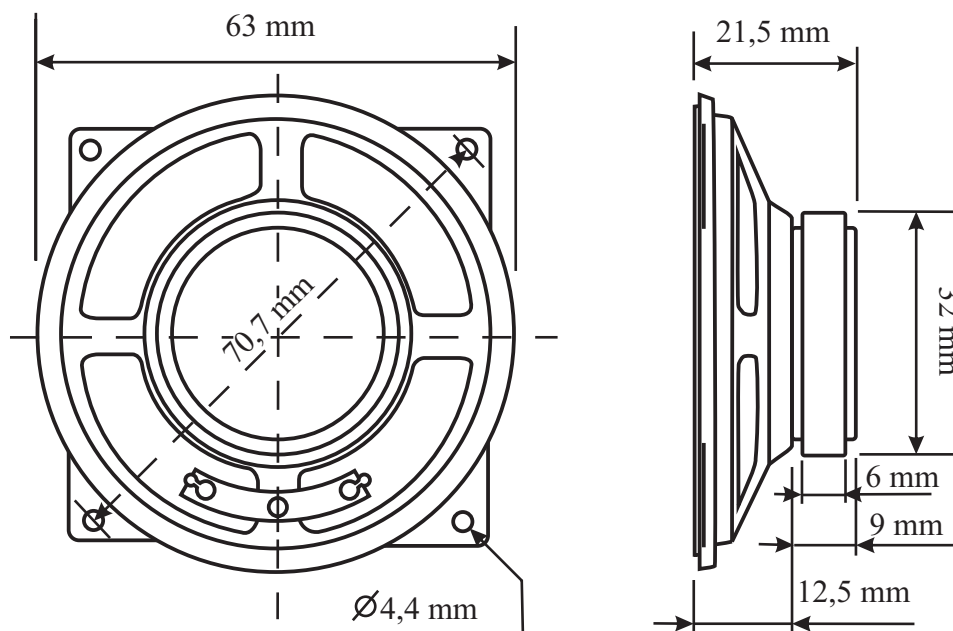
No.	Item	Specifications
1.	Size	O63*21.5mm
2.	Impedance at 1.0KHz/1V	8 ±15%
3.	Lowest Resonance frequency	450±20Hz
4.	Effective frequency range	fo...12500Hz Max deviation - 12dB
5.	Rated input power	0.5W
6.	Maximum input power	1.0W
7.	Buzz & Rattle(at sine wave4.8V)	must be normal
8.	SPL(1.0W, 1m) at 1KHz	86±2dB
9.	Polarity	Positive voltage to (+), the diaphragm move forward
10.	Magnet	Ferrite O32×6mm
11.	Frame Material	Iron
12.	Membrane	Paper
13.	Weight	46gr
14.	Operating temperature	-10...+65°C
15.	Storage temperature	-40...+70°C

Динамик широкополосный открытый магнит YD 63-01
(63mm*63mm* h21,5mm*магнит32mm) 8 Ом 1W (0,5ГДШ-2М)

2. Frequency curve(1m/1w)



3. Drawing



Динамик широкополосный открытый магнит YD 63-01

4. Reliability Test

4.1 Load test

Input Power

input 0.5W, pink noise

Duration

24hrs

4.2 Heat test

Temperature

+45±2°C

Duration

48hrs

4.3 Cold test

Temperature

-10±2°C

Duration

48hrs

4.4 Moisture test

Temperature

+45±2°C

Humidity

90%-95%RH

Duration

48hrs

Speakers can be inspected after leaving in normal temperature for 2hrs. After each test, all electrical and acoustic characteristics should be satisfied with the specification.