



TL074

LINEAR INTEGRATED CIRCUIT

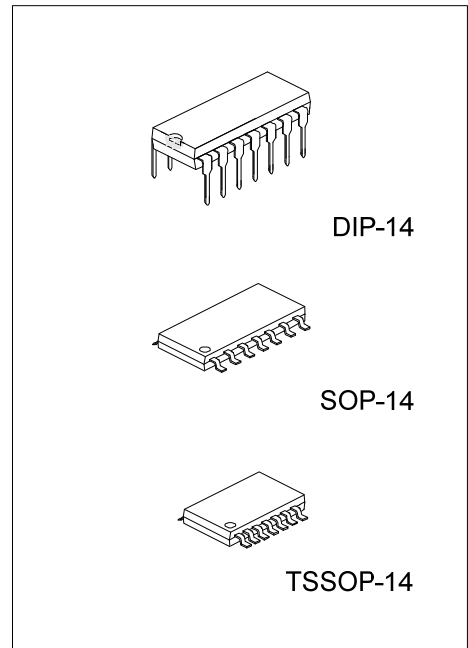
LOW NOISE QUAD J-FET OPERATIONAL AMPLIFIER

DESCRIPTION

The UTC **TL074** is a high speed J-FET input quad operational amplifier. It incorporates well matched, high voltage J-FET and bipolar transistors in a monolithic integrated circuit. The device features high slew rates, low input bias and offset current and low offset voltage temperature coefficient.

FEATURES

- * Low power consumption
- * Wide common-mode (up to V_{CC+}) and differential voltage range
- * Low input bias and offset current
- * Low noise $eN = 15nV / \sqrt{Hz}$ (typ.)
- * Output short-circuit protection
- * High input impedance J-FET input stage
- * Low harmonic distortion:0.01% (typ.)
- * Internal frequency compensation
- * Latch up free operation



ORDERING INFORMATION

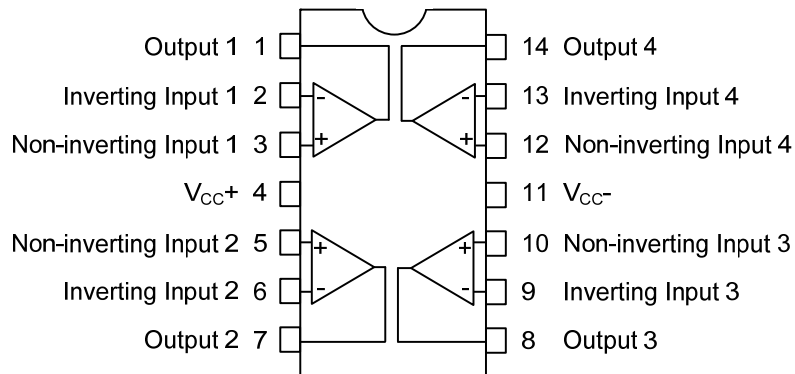
Ordering Number		Package	Packing
Lead Free	Halogen Free		
TL074L-D14-T	TL074G-D14-T	DIP-14	Tube
TL074L-S14-R	TL074G-S14-R	SOP-14	Tape Reel
TL074L-P14-R	TL074G-P14-R	TSSOP-14	Tape Reel

<p>TL074G-D14-T</p> <ul style="list-style-type: none"> (1) Packing Type (2) Package Type (3) Green Package 	<ul style="list-style-type: none"> (1) T: Tube, R: Tape Reel (2) D14: DIP-14, S14: SOP-14, P14: TSSOP-14 (3) G: Halogen Free and Lead Free, L: Lead Free
---	---

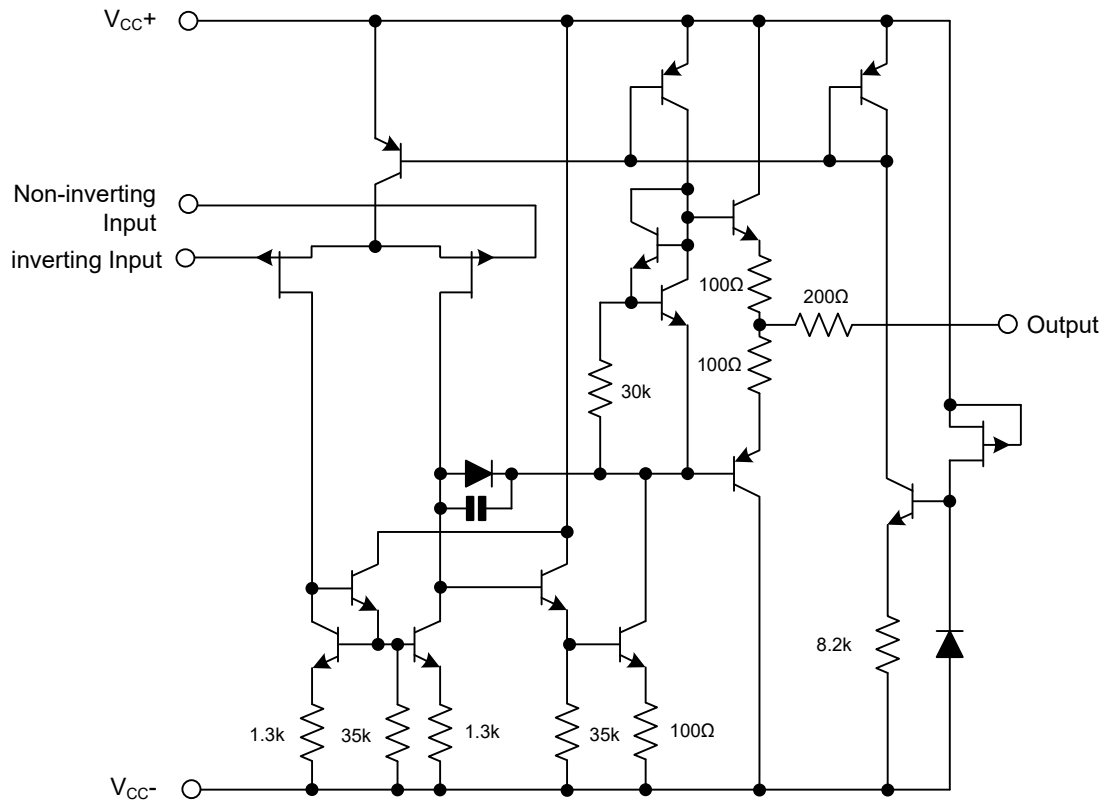
MARKING

DIP-14	SOP-14 / TSSOP-14

■ PIN CONFIGURATIONS



■ SCHEMATIC DIAGRAM



■ ABSOLUTE MAXIMUM RATINGS ($T_A=25^\circ\text{C}$, unless otherwise specified)

PARAMETER		SYMBOL	RATING	UNIT
Supply Voltage (Note 2)		V_{CC}	± 18	V
Input Voltage (Note 3)		V_{IN}	± 15	V
Differential Input Voltage (Note 4)		$V_{I(DIFF)}$	± 30	V
Power Dissipation	DIP-14	P_D	800	mW
	SOP-14		580	mW
	TSSOP-14		500	mW
Output Short-Circuit Duration (Note 5)			Infinite	
Operating Temperature (Note 6)		T_{OPR}	-40 ~ +125	$^\circ\text{C}$
Storage Temperature		T_{STG}	-65 ~ +150	$^\circ\text{C}$

- Notes: 1. Absolute maximum ratings are those values beyond which the device could be permanently damaged. Absolute maximum ratings are stress ratings only and functional device operation is not implied.
2. All voltage values, except differential voltage, are with respect to the zero reference level (ground) of the supply voltages where the zero reference level is the midpoint between V_{CC-} and V_{CC+} .
3. The magnitude of the input voltage must never exceed the magnitude of the supply voltage or 15 volts, whichever is less.
4. Differential voltages are at the non-inverting input terminal with respect to the inverting input terminal.
5. The output may be shorted to ground or to either supply. Temperature and/or supply voltages must be limited to ensure that the dissipation rating is not exceeded.
6. It is guarantee by design, not 100% be tested.

■ ELECTRICAL CHARACTERISTICS ($V_{CC}=\pm 15V$, $T_A=25^\circ C$, unless otherwise specified)

PARAMETER	SYMBOL	TEST CONDITIONS		MIN	TYP	MAX	UNIT	
Input Offset Voltage	$V_{I(OFF)}$	$R_s=50\Omega$	$T_A=25^\circ C$		3	6	mV	
			$T_{MIN}\leq T_A\leq T_{MAX}$			7	mV	
Temperature Coefficient of Input Offset Voltage	$\Delta V_{I(OFF)}$	$R_s=50\Omega$			10		$\mu V/^\circ C$	
Input Offset Current (Note)	$I_{I(OFF)}$		$T_A=25^\circ C$		5	100	pA	
			$T_{MIN}\leq T_A\leq T_{MAX}$			4	nA	
Input Bias Current (Note)	$I_{I(BIAS)}$		$T_A=25^\circ C$		20	200	pA	
			$T_{MIN}\leq T_A\leq T_{MAX}$			20	nA	
Input Common Mode Voltage	$V_{I(CM)}$			± 11	-12~+15		V	
Output Voltage Swing	$V_{O(SW)}$	$R_L=2k\Omega$	$T_A=25^\circ C$		± 10		V	
				$R_L=10k\Omega$		± 12	± 13.5	V
		$R_L=2k\Omega$	$T_{MIN}\leq T_A\leq T_{MAX}$		± 10			V
				$R_L=10k\Omega$		± 12		V
Large Signal Voltage Gain	G_v	$R_L=2k\Omega$, $V_{OUT}=\pm 10V$	$T_A=25^\circ C$	50	200		V/mV	
			$T_{MIN}\leq T_A\leq T_{MAX}$	25			V/mV	
Gain Bandwidth Product	GB_W	$R_L=10k\Omega$, $C_L=100pF$		2	3		MHz	
Input Resistance	R_{IN}				10^{12}		Ω	
Common Mode Rejection Ratio	CMR	$R_s=50\Omega$	$T_A=25^\circ C$	80	86		dB	
			$T_{MIN}\leq T_A\leq T_{MAX}$	80			dB	
Supply Voltage Rejection Ratio	SVR	$R_s=50\Omega$	$T_A=25^\circ C$	80	86		dB	
			$T_{MIN}\leq T_A\leq T_{MAX}$	80			dB	
Supply Current	I_{CC}	No Load	$T_A=25^\circ C$		1.4	2.5	mA	
			$T_{MIN}\leq T_A\leq T_{MAX}$			2.5	mA	
Channel Separation	V_{O1}/V_{O2}	$G_v=100$			120		dB	
Output Short-circuit Current	$I_{O(SC)}$		$T_A=25^\circ C$	10	40	60	mA	
			$T_{MIN}\leq T_A\leq T_{MAX}$	10		60	mA	
Slew Rate	SR	$V_{IN}=10V$, $R_L=2k\Omega$, $C_L=100pF$, unity gain		3	6		$V/\mu s$	
Rise Time	t_r	$V_{IN}=20mV$, $R_L=2k\Omega$, $C_L=100pF$, unity gain			0.1		μs	
Overshoot Factor	K_{ov}	$V_{IN}=20mV$, $R_L=2k\Omega$, $C_L=100pF$, unity gain			10		%	
Total Harmonic Distortion	THD	$G_v=20dB$, $f=1kHz$, $R_L=2k\Omega$, $C_L=100pF$, $V_{OUT}=2V_{pp}$)			0.01		%	
Phase Margin					45		Deg.	
Equivalent Input Noise Voltage	eN	$R_s=100\Omega$, $f=1KHz$			15		$\frac{nV}{\sqrt{Hz}}$	

Note: The Input bias currents are junction leakage currents, which approximately double for every $10^\circ C$ increase in the junction temperature.

PARAMETER MEASUREMENT INFORMATION

Figure 1. Voltage Follow

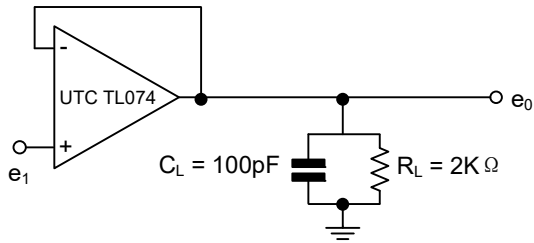
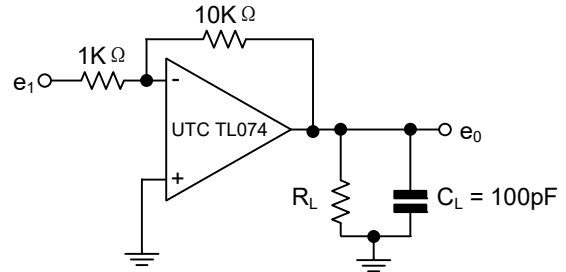
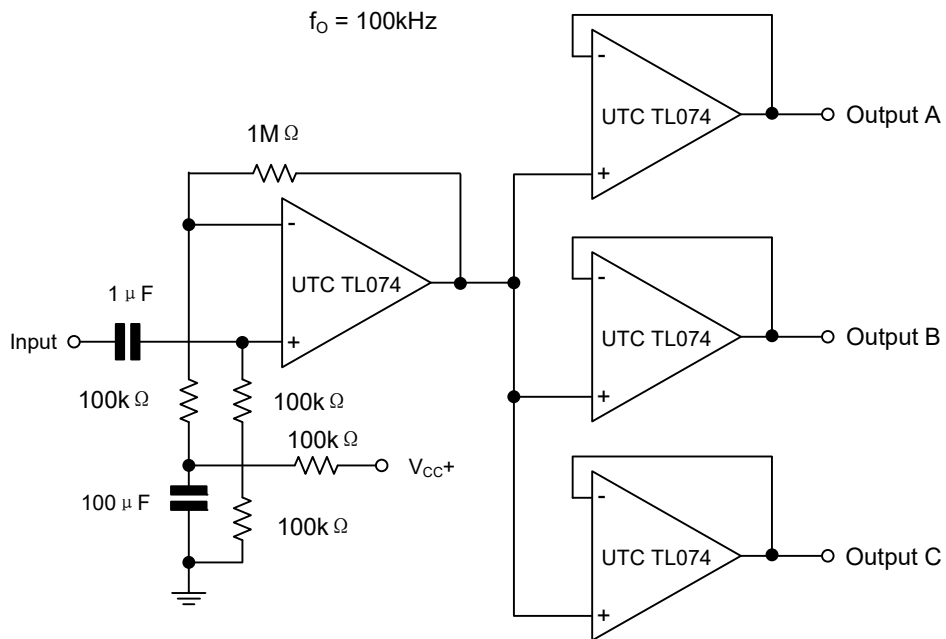


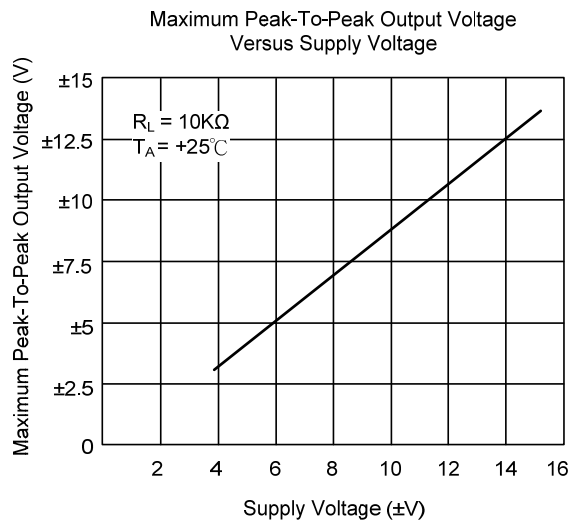
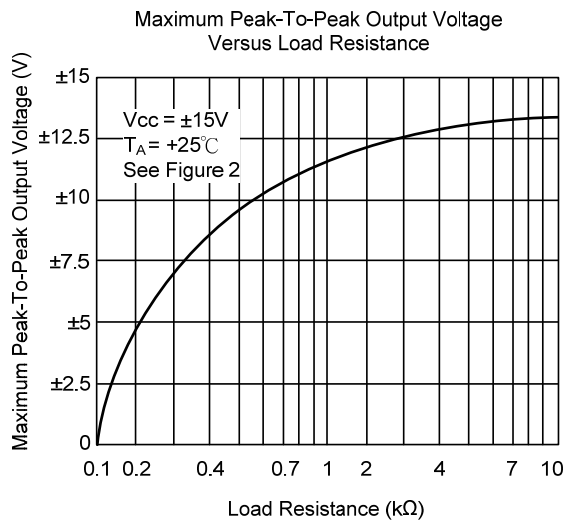
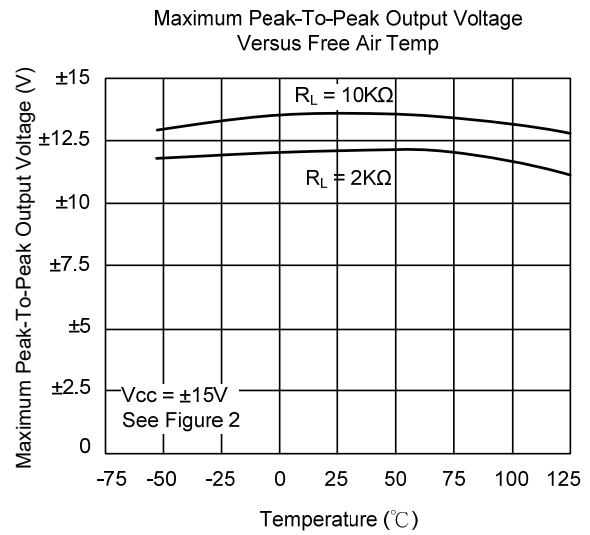
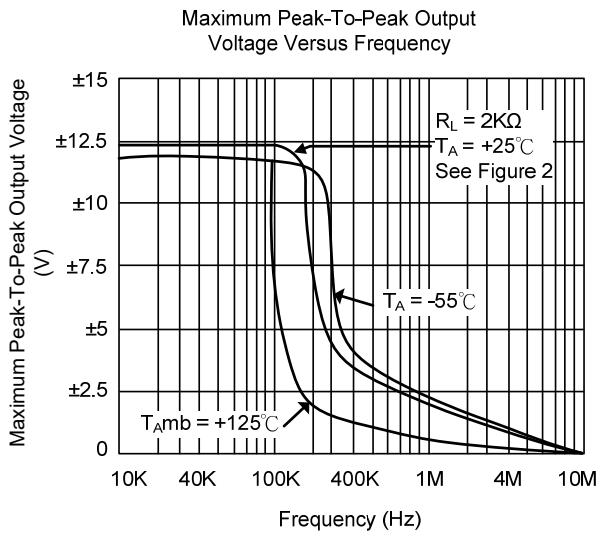
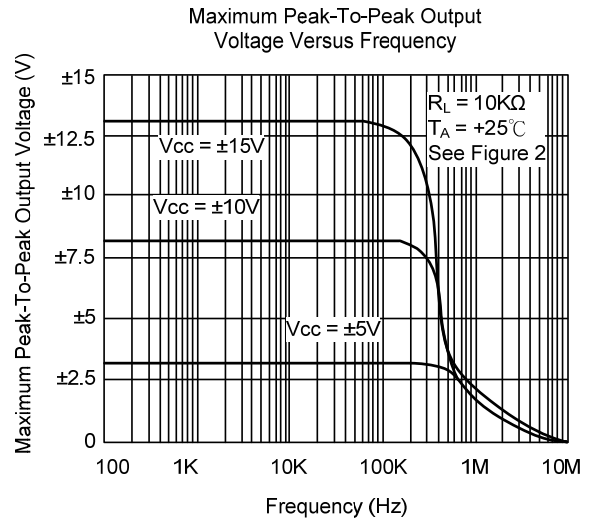
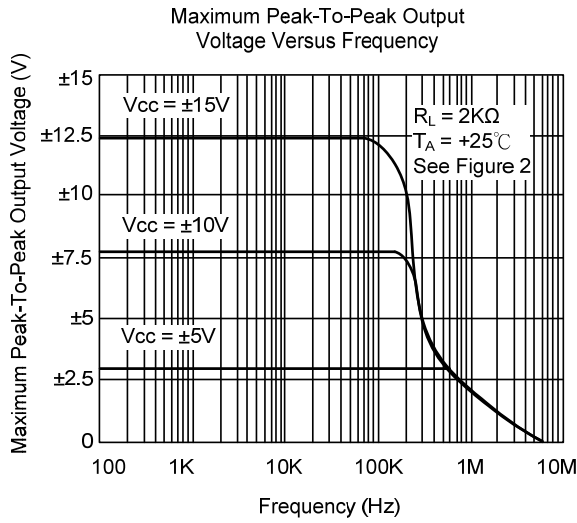
Figure 2. Gain-of-10 Inverting Amplifier



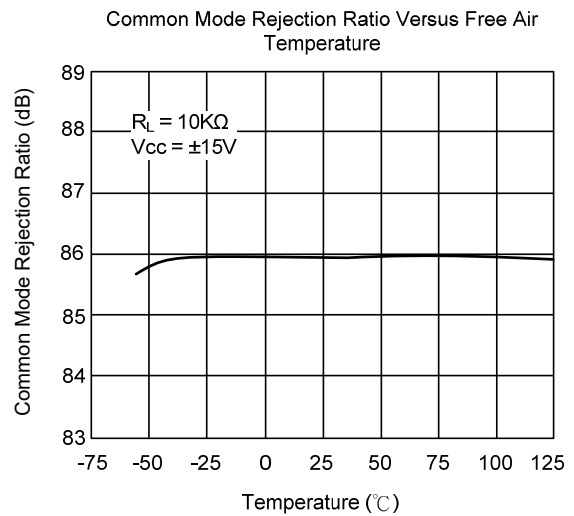
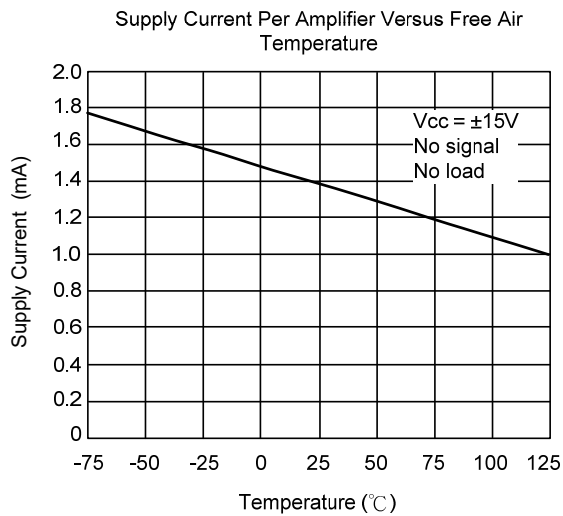
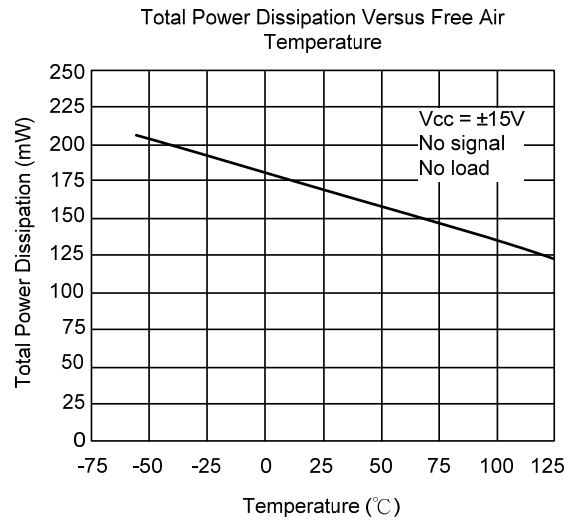
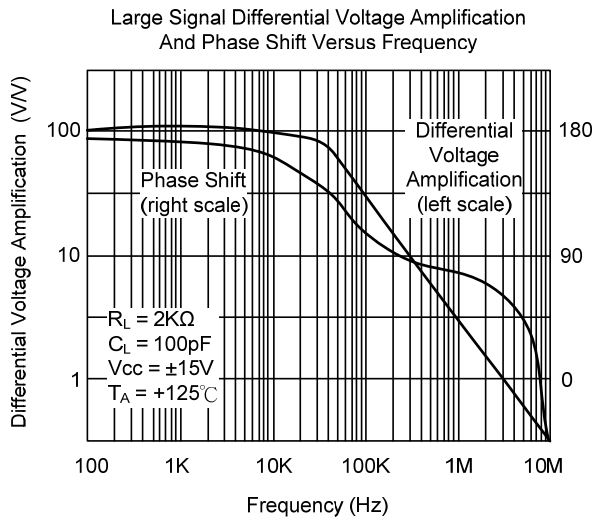
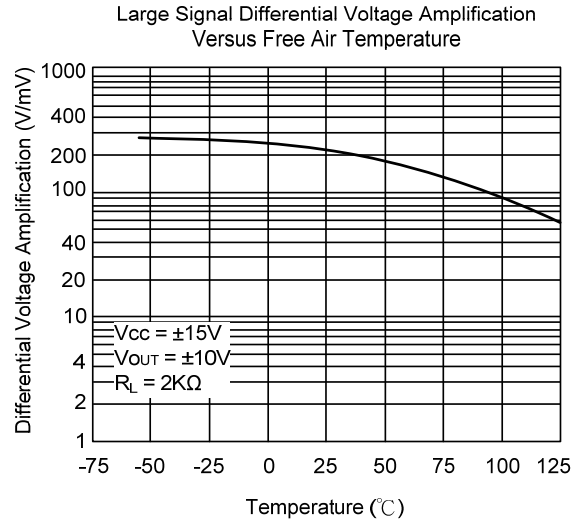
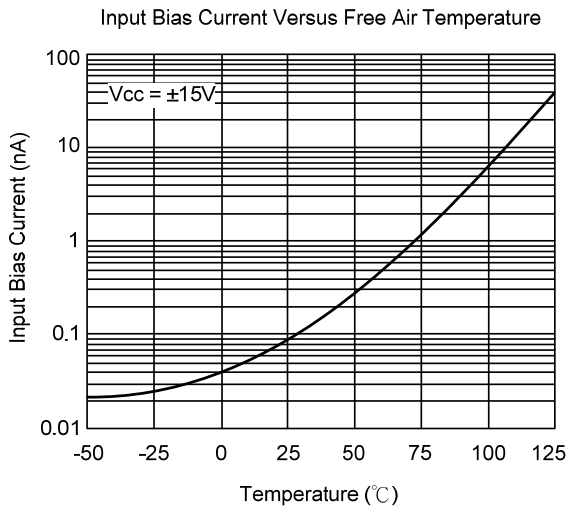
TYPICAL APPLICATION



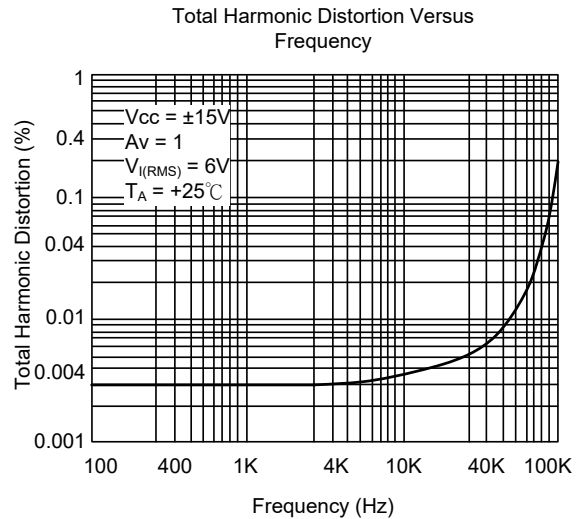
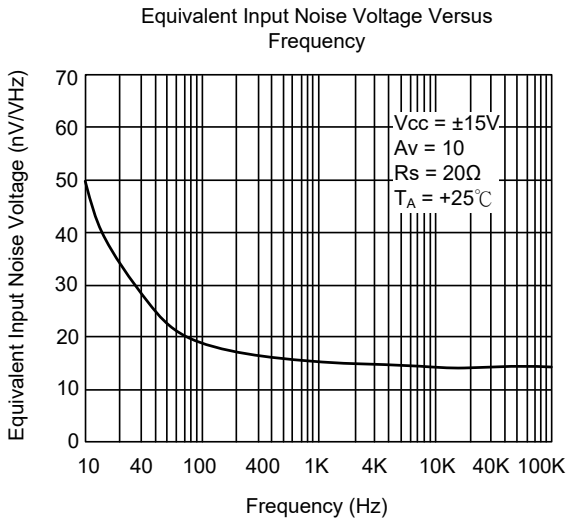
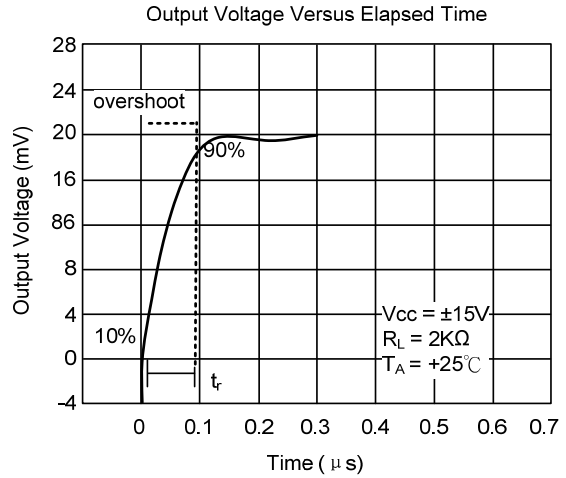
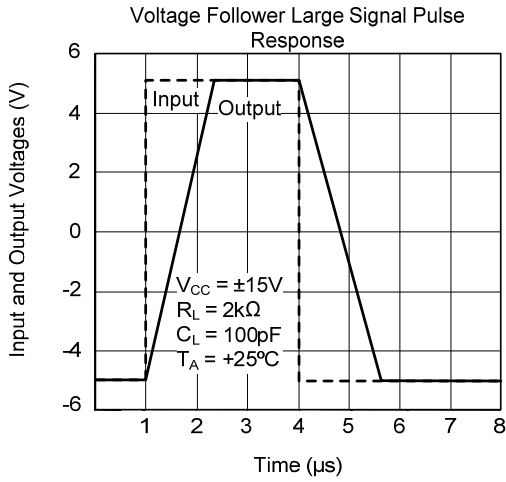
TYPICAL CHARACTERISTICS



■ TYPICAL CHARACTERISTICS (Cont.)



■ TYPICAL CHARACTERISTICS (Cont.)



UTC assumes no responsibility for equipment failures that result from using products at values that exceed, even momentarily, rated values (such as maximum ratings, operating condition ranges, or other parameters) listed in products specifications of any and all UTC products described or contained herein. UTC products are not designed for use in life support appliances, devices or systems where malfunction of these products can be reasonably expected to result in personal injury. Reproduction in whole or in part is prohibited without the prior written consent of the copyright owner. UTC reserves the right to make changes to information published in this document, including without limitation specifications and product descriptions, at any time and without notice. This document supersedes and replaces all information supplied prior to the publication hereof.