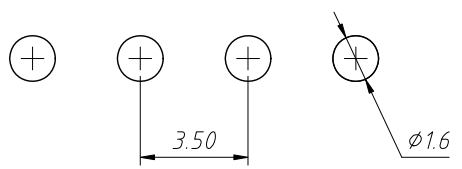
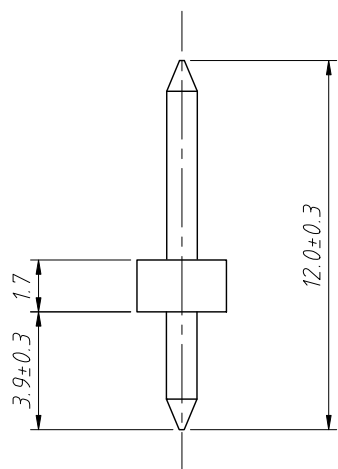
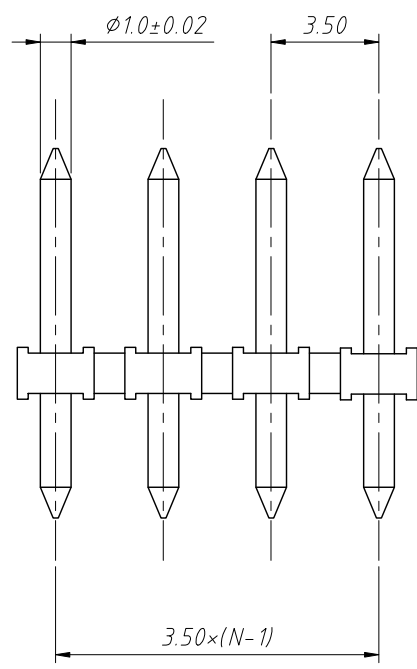
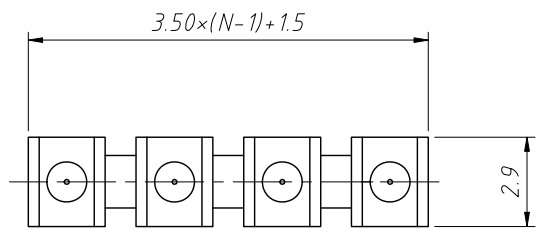


1
RoHS Compliance



PCB Layout

Material:
Pin header: Brass, Tin plated
Housing: PA66, UL94V-0

Electrical :
Rated voltage: 300V
Rated current: 8A
Contact resistance: 20mΩ
Insulation resistance: 500MΩ/DC500V
Withstanding Voltage: AC2000V/1Min

Mechanical:
Temp. Range: -40°C ~ +105°C

Order Information:
L-KLS2-333J-3.50-04P-3

L: RoHS
Pitch: 3.50mm
No. of pins
Colour: 3=Black

ANGLE TOLERANCE	PROJECTION	Description:	
±3°		3.50mm Pitch Male PCB Terminal block	
GENERAL TOLERANCE	UNITS	mm	KLS P/N:
x.x ±0.30	SHEET SIZE	A4	L-KLS2-333J-3.50-04P-3
x.xx ±0.20	Draw:	Daniel	2023-05-05
x.xxx ±0.10	Check:	Daniel	2023-05-05



NingBo KLS ELECTRONIC CO.,L TD.