


YG100R/YG88R

Modular High-Speed Mounter

MAINTENANCE PARTS LIST

Safety.

To replace the purchased parts safely, be sure to comply with the following items. However the following cannot cover all items regarding safety in detail. So it is extremely important that the worker or person handling the machine make correct decisions regarding safety.

 CAUTION Machine operation of operator•Work is limited to maintenance and safety skill.

- ① Be sure to turn off the machine's power supply and remove the air coupler before doing the exchange work.
- ② Be sure to push the emergency stop SW, and do adjustment work under the emergency stop condition.
- ③ Refer to the maintenance manual for the replacement work of each consumable part.

* Safety alert symbols and signal words

 CAUTION

Indicates a potentially hazardous situation which, if not avoided, may result in minor injury, or material loss or damage to the machine. These points are important for protecting the safety of the machine and data, etc.

Level column

Make use of these as reference, “○•△•×”, as mentioned in the Level column.

“○” It is based on taking the basic maintenance training, and being able to do equal work.

“△” Please contact our company service when it is judged that the customer's condition difficult.

From the problem that arises from these, we cannot assume responsibility such as accidents.

Note

Rank A :The functions of these parts gradually deteriorate with operating time.

Rank B :The machine stops immediately if the functions of these parts are disabled.

Rank C :The machine still operates even if the functions of these parts are disabled, because there are many parts.

Rank E :The functions of consumable part gradually deteriorate with operating time.

/ :Maintenance is excluded (The screws are also equal, display is omitted)

Q'ty :The number of parts used for the machine.

Level○ :Aims to undergo basic maintenance training and have the capability to do the job.

Level△ :Yamaha Corp. aims to render exclusive training

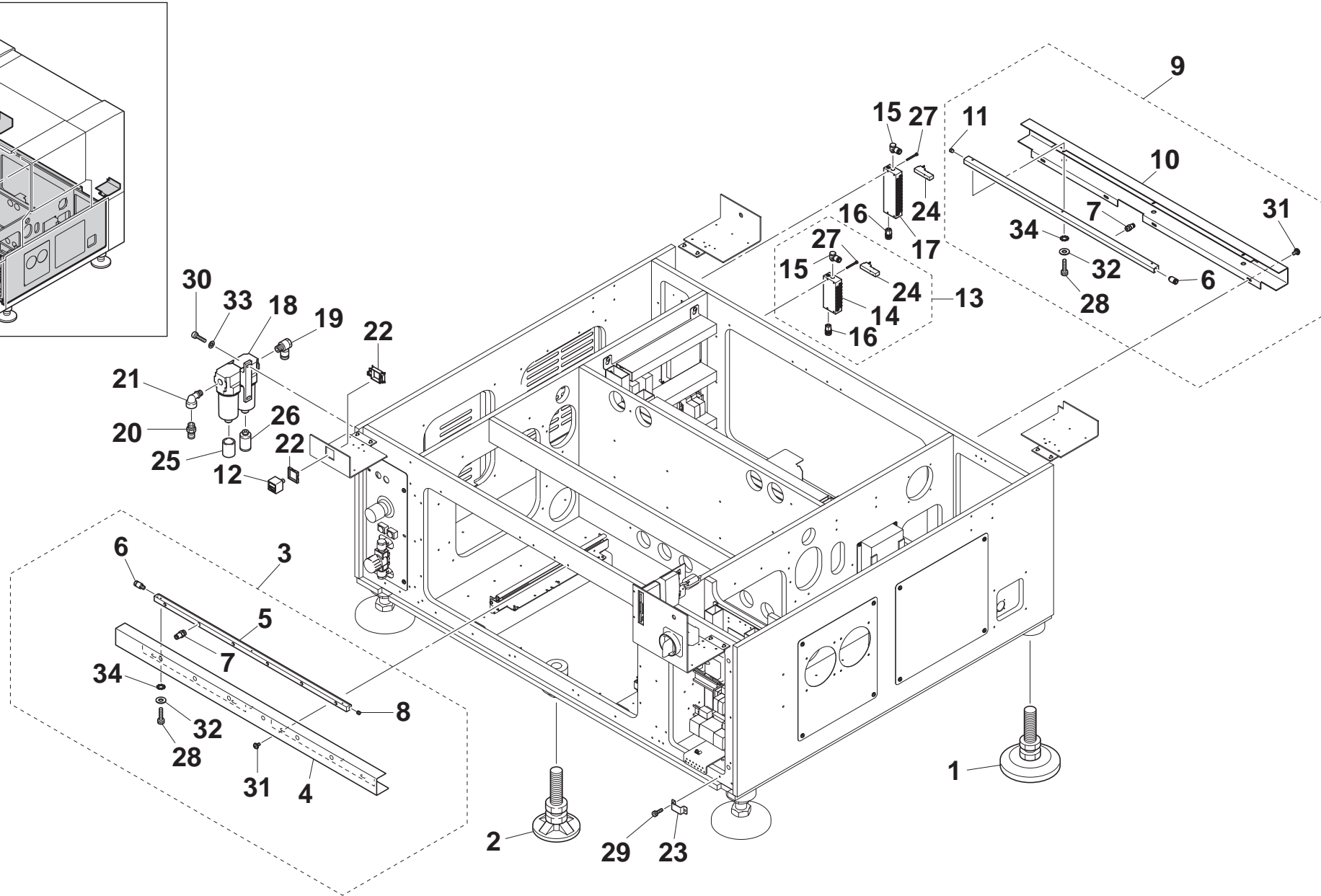
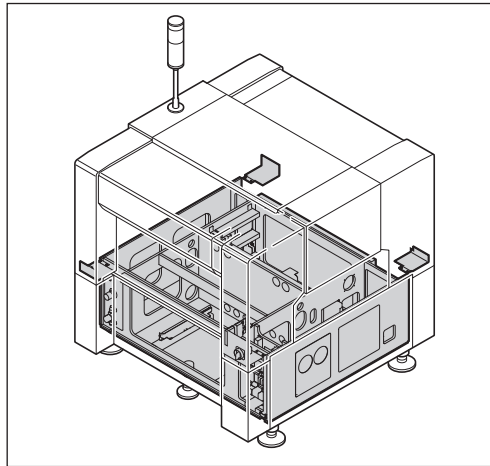
Level× :Yamaha Corp. Service Engineering

Contents

KHW/KHV-0709

1	Base	
	Base.....	1-1
2	Cover	
	Top Cover	2-1
	Base Cover.....	2-2
3	Feeder	
	Feeder Holder 24(CLI / IND)	3-1
	Feeder Floating Detection 24 (STD).....	3-2
	Feeder Floating Detection 24 (FES).....	3-3
4	Moving-axis	
	X-axis.....	4-1
	Y-axis.....	4-2
5	Head (YG100R)	
	Head Combination	5-1
	Shaft Head Sub Assy	5-2
6	Head (YG88R)	
	Head Combination	6-1
	Air Unit / Cover.....	6-2
7	Nozzle (YG100R)	
	Nozzle.....	7-1
	Nozzle Changer.....	7-2
8	Nozzle (YG88R)	
	Nozzle.....	8-1
	Nozzle Changer FNC(Op.).....	8-2
9	Conveyor Unit	
	Push-Up.....	9-1
	Stopper(Exit / Sub).....	9-2
	Stopper(Single).....	9-3
	Stopper(Double).....	9-4
	Clamp Board(Single)	9-5
	Clamp Board(Double)	9-6
	Main Conveyor(Front Side Standard)	9-7
	Main Conveyor(Back Side Standard)	9-8
	PCB Detect Sensor.....	9-9
10	Blow Station(YG100R)	
	Blow Station	10-1
11	Blow Station(YG88R)	
	Blow Station	11-1
12	Controller	
	Control Box	12-1
13	Exterior, etc.	
	Exterior, etc.....	13-1
14	Head Accessories(YG100R)	
	Head Accessories.....	14-1
15	Head Accessories(YG88R)	
	Head Accessories.....	15-1
16	Tools	
	Tools.....	16-1

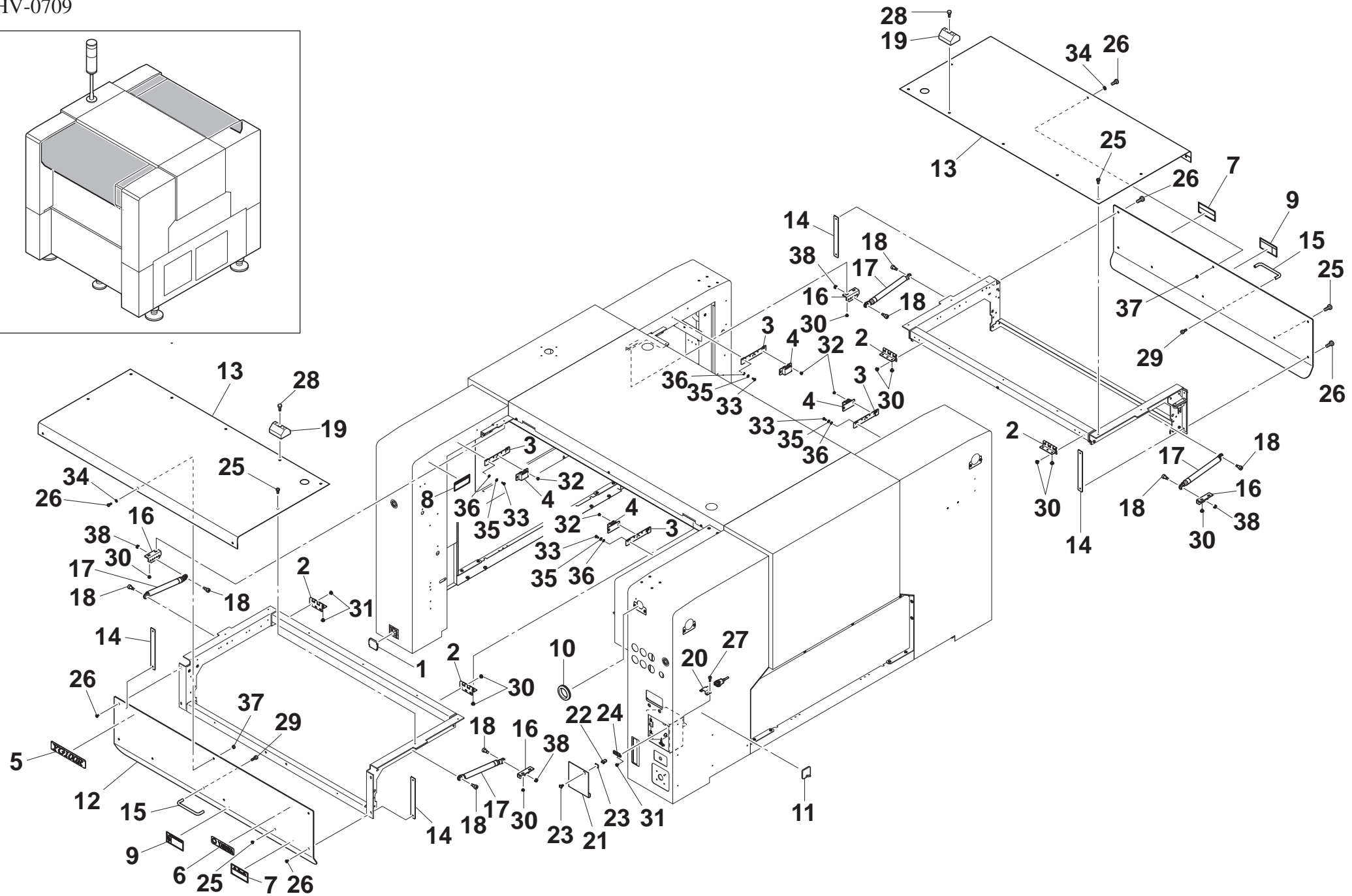
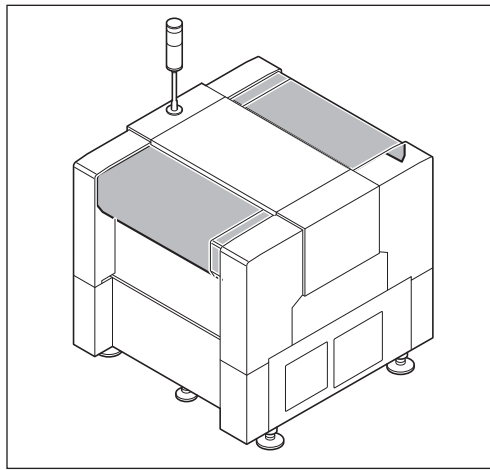
KHW/KHV-0709



No.	Part No.	Part Name	Q'ty	Remarks	Rank	Level
1	KGA-M1180-00X	LEVELING BOLT ASSY	4		/	○
2	KGS-M1180-00X	LEVELING BOLT ASSY	2		/	○
3	KGS-M0105-F0X	MANUFOLD SUB F ASSY	1		/	○
4	KGS-M1325-00X	BRACKET 5	1		/	○
5	KM0-M1141-00X	MANUFOLD	1		/	○
6	\$TSH8-01	JOINT	1		/	×
7	\$TSS4-01	JOINT	6		/	○
8	K40-M8598-00X	PLUG 1	1		/	×
9	KHW-M0105-R0X	MANUFOLD SUB R ASSY	1		/	○
10	KHW-M1325-00X	BRACKET 5	1		/	○
11	K40-M8598-10X	PLUG 1	1		/	×
12	KHU-M8596-00X	PRESSURE GAGE	1		/	×
13	KV7-M8583-00X	OPTION MANIFOLD ASSY	1		/	×
14	KM7-M8584-00X	MANIFOLD	1		/	○
15	\$SL8-01	JOINT	2		/	○
16	\$KM-11	MUFFLER	2		/	○
17	KHW-M8582-00X	VALVE	1		B	○
18	KHW-M8502-00X	F.M.COMB.	1		/	○
19	\$SL12-03	JOINT	1		/	○
20	KG7-M8512-00X	JOINT	1		/	○
21	KG7-M8513-00X	JOINT	1		/	○
22	KHW-M8597-00X	BRACKET,GAUGE	1		/	○
23	KV7-M1125-00X	PLATE,CLAMP	1		/	○
24	KHW-M8582-40X	VALVE	1	(Spare)	B	○
25	KHW-M8501-10X	ELEMENT	1		E	○
26	KHW-M8501-20X	MANT* LE	1		E	○
27	91312-03030	BOLT,HEX.SOCKET HEAD	2			
28	91312-04008	BOLT HEX.SOCKET HEAD	6			
29	91312-05008	BOLT HEX.SOCKET HEAD	2			
30	91312-06014	BOLT HEX.SOCKET HEAD	2			
31	90990-12J004	SCREW BIN.HEAD W/W	8			
32	92903-04200	WASHER PLAIN	6			
33	92990-06200	WASHER PLAIN	2			
34	92990-04400	WASHER EXTL.TOOTHED	6			
35						
36						
37						
38						

No.	Part No.	Part Name	Q'ty	Remarks	Rank	Level
39						
40						
41						
42						
43						
44						
45						
46						
47						
48						
49						
50						
51						
52						
53						
54						
55						
56						
57						
58						
59						
60						
61						
62						
63						
64						
65						
66						
67						
68						
69						
70						
71						
72						
73						
74						
75						
76						

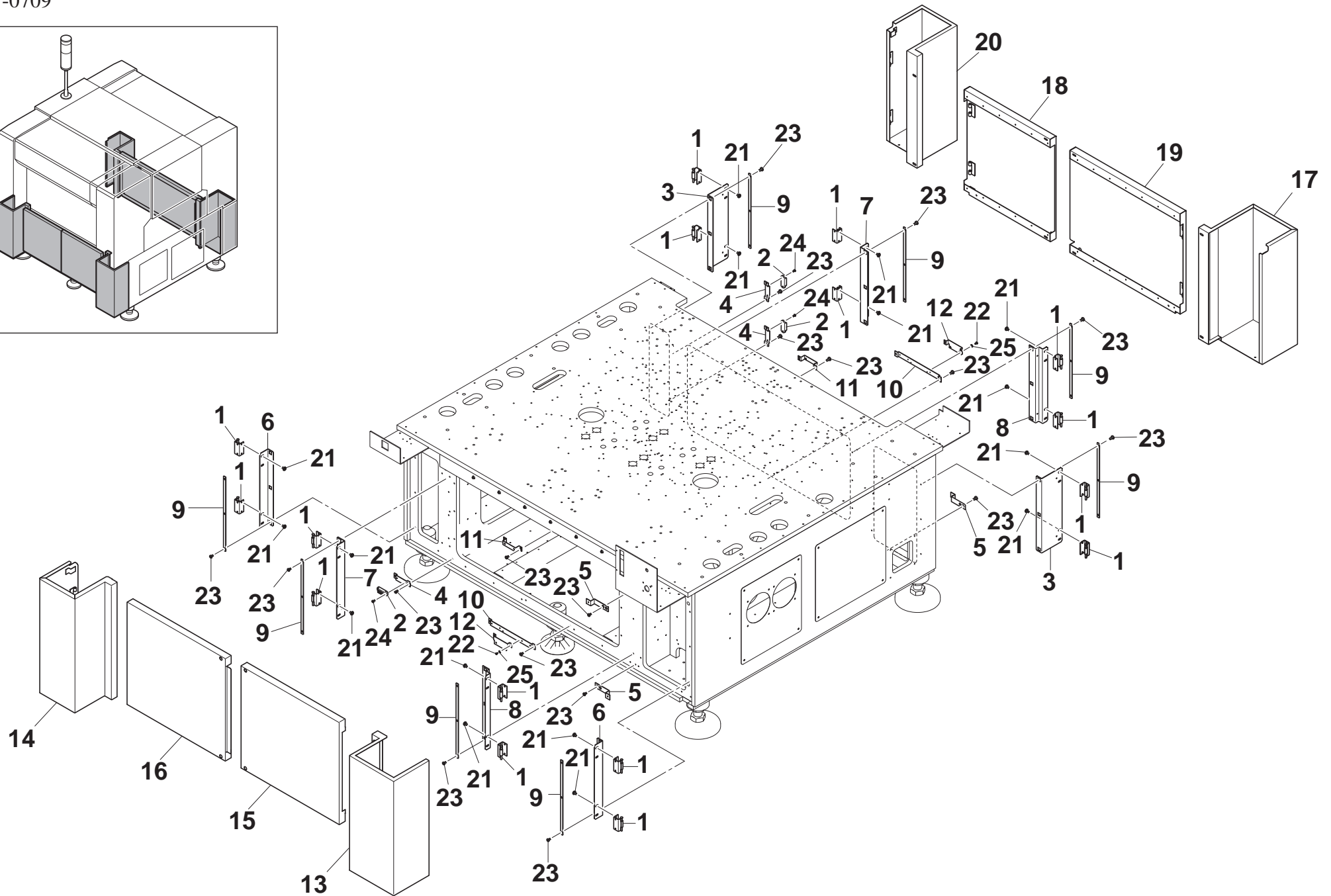
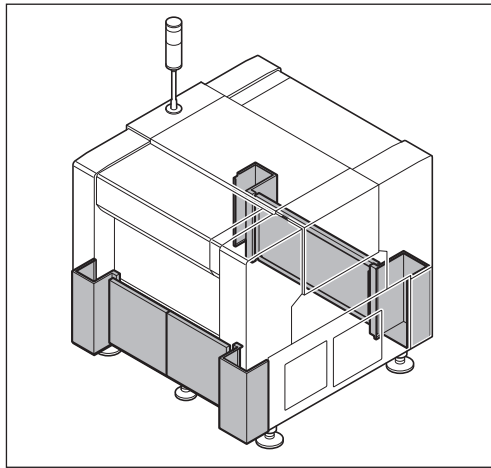
KHW/KHV-0709



No.	Part No.	Part Name	Q'ty	Remarks	Rank	Level
1	KHW-M8597-00X	BRACKET,GAUGE	1		/	×
2	K46-M1374-10X	HINGE 2	4		/	○
3	KM0-M1332-01X	BRACKET MAGNET	4		/	○
4	KV5-M1130-00X	CATCH MG.	4		/	○
5	KHW-M13D6-00X	SEAL 1(YG100R)	1		/	○
6	KW7-M13D7-01X	SEAL 2(YAMAHA)	1		/	○
7	90K41-000360	LABEL,ALERT	2		/	○
8	90K41-000350	LABEL,ALERT	2		/	○
9	90K41-000420	LABEL,ALERT	2		/	○
10	KH1-M13A9-00X	BUSH	2		/	○
11	KGA-M13B9-00X	HOOK	1		/	○
12	KHW-M1309-00X	COVER 9-1(STD)	1		/	○
13	KGS-M130A-51X	COVER 9-2	1		/	○
14	KV7-M1349-00X	PLATE 2,NUT	2		/	○
15	KH2-M1324-00X	GRIP	1		/	○
16	KM0-M1331-01X	BRACKET GAS DAMPER	2		/	○
17	KGS-M1348-00X	GAS SPRING	2		A	○
18	KM0-M1346-00X	SHOULDER,BOLT	4		/	○
19	KGS-M1344-00X	STOPPER 45	2		/	○
20	KHM-M1397-00X	BRACKET,FDD 3	1		/	×
21	KHW-M130E-00X	DOOR,USB	1		/	○
22	KW3-M1349-00X	MINI LATCH	1		/	○
23	KGJ-M1350-00X	SPACER,MINI LATCH	1		/	○
24	KGJ-M1351-01X	PLATE,MINI LATCH	1		/	○
25	K16-90101-060	BOLT:TP-M4X6	9		/	○
26	K16-90101-100	BOLT:TP-M4X10	5		/	○
27	91312-03006	BOLT HEX.SOCKET HEAD	4			
28	91317-04020	BOLT HEX.SOCKET HEAD	2			
29	91317-05014	BOLT HEX.SOCKET HEAD	2			
30	90990-12J002	SCREW BIND HEAD W/W	16			
31	90990-12J006	SCREW BIND HEAD W/W	2			
32	98902-03005	SCREW BINDING HEAD	8			
33	98902-04010	SCREW BINDING HEAD	8			
34	92907-04200	WASHER PLAIN	3			
35	92902-04200	WASHER PLAIN	8			
36	92990-04400	WASHER EXTL.TOOTHED	8			
37	95307-04600	NUT HEXAGON	1			
38	95307-06600	NUT HEXAGON	2			

No.	Part No.	Part Name	Q'ty	Remarks	Rank	Level
39						
40						
41						
42						
43						
44						
45						
46						
47						
48						
49						
50						
51						
52						
53						
54						
55						
56						
57						
58						
59						
60						
61						
62						
63						
64						
65						
66						
67						
68						
69						
70						
71						
72						
73						
74						
75						
76						

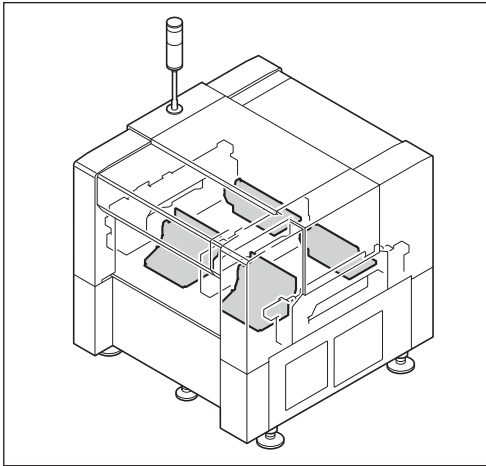
KHW/KHV-0709



No.	Part No.	Part Name	Q'ty	Remarks	Rank	Level
1	KG2-M1370-00X	HINGE ASSY	16		/	×
2	K44-M1354-00X	MG.CATCH (TL-152-2)	4		/	○
3	KGS-M1326-00X	BRACKET 1-1	2		/	○
4	KV7-M1370-00X	BRACKET,MAGNET	4		/	○
5	KGS-M1371-00X	BRACKET,FIX	4		/	○
6	KGS-M1327-00X	BRACKET 1-2	2		/	○
7	KGS-M1328-00X	BRACKET 2	3		/	○
8	KGA-M1328-00X	BRACKET 2	2		/	○
9	KV7-M1347-00X	PLATE,BRACKET	8		/	○
10	KW8-M1323-00X	BRACKET MAGNET	2		/	○
11	KW8-M1328-00X	BRACKET 9	2		/	○
12	KW8-M1330-00X	BRACKET 9	2		/	○
13	KHW-M1310-00X	COVER 10	1		/	○
14	KHW-M1311-00X	COVER 11	1		/	○
15	KGS-M1312-10X	COVER 12-1	1		/	○
16	KGS-M1312-20X	COVER 12-2	1		/	○
17	KHW-M1313-00X	COVER 13	1		/	○
18	KHW-M1314-00X	COVER 14-1	1		/	○
19	KHW-M1314-10X	COVER 14-2	1		/	○
20	KGS-M1315-00X	COVER 15	1		/	○
21	90990-12J006	SCREW BIND HEAD W/W	36			
22	98902-03006	SCREW BINDING HEAD	2			
23	98902-05010	SCREW BINDING HEAD	48			
24	98907-03008	SCREW BINDING HEAD	8			
25	92990-03200	WASHER PLAIN	10			
26						
27						
28						
29						
30						
31						
32						
33						
34						
35						
36						
37						
38						

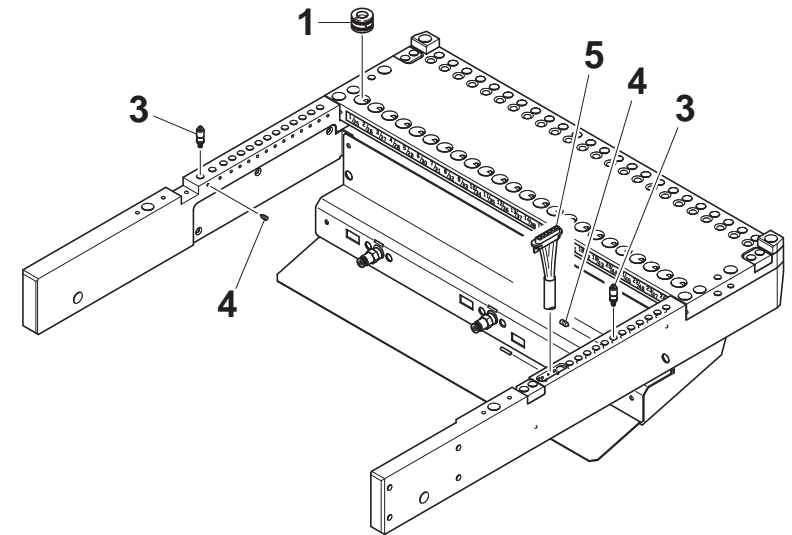
No.	Part No.	Part Name	Q'ty	Remarks	Rank	Level
39						
40						
41						
42						
43						
44						
45						
46						
47						
48						
49						
50						
51						
52						
53						
54						
55						
56						
57						
58						
59						
60						
61						
62						
63						
64						
65						
66						
67						
68						
69						
70						
71						
72						
73						
74						
75						
76						

KHW/KHV-0709

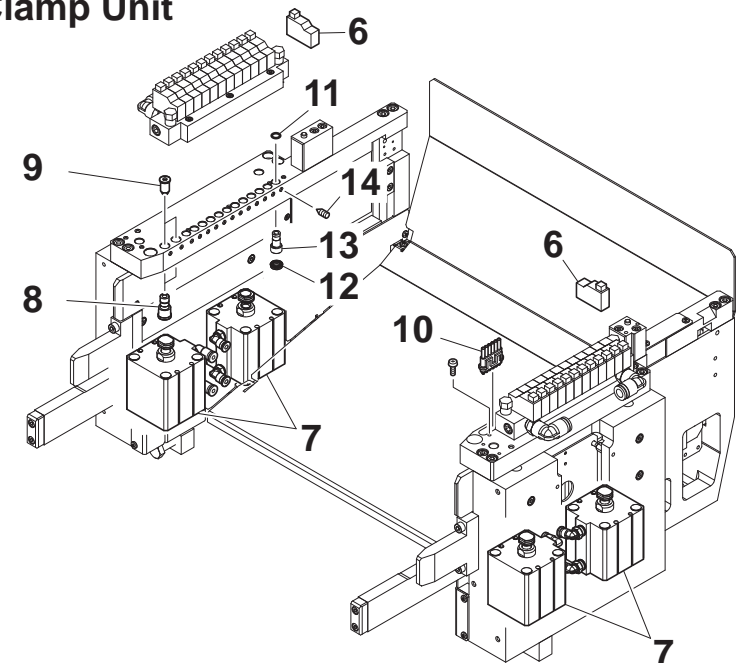
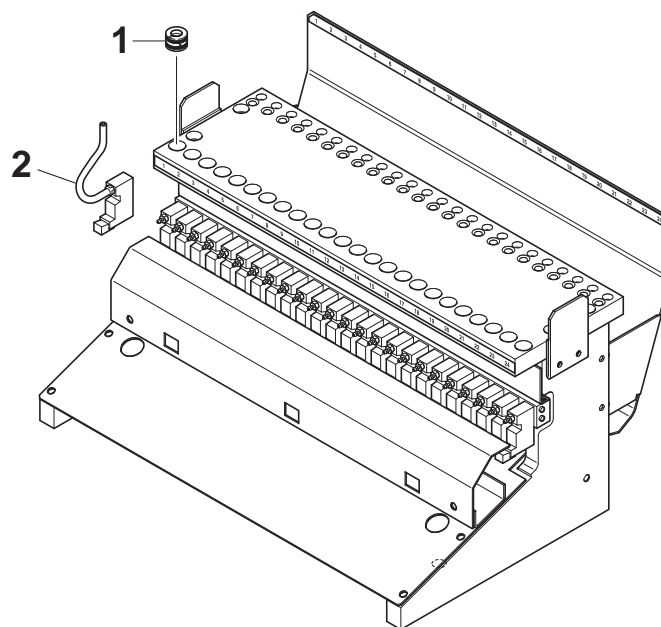


Feeder Holder 24

FES 24 Carriage



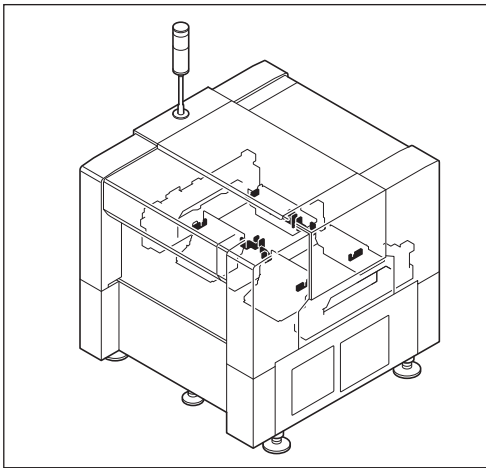
FES 24 Clamp Unit



No.	Part No.	Part Name	Q'ty	Remarks	Rank	Level
1	KG2-M3407-A0X	AIR JOINT	24		E	○
2	KGA-M37P0-00X	VALVE KIT	24	Spare	C	○
3	KV8-M3719-00X	AIR JOINT	26		A	×
4	92A08-03304	SET SCREW	28		/	×
5	KV8-M66T4-00X	HNS, 22-4	1		A	×
6	KGS-M37P1-00X	VALVE	24	Spare	C	○
7	KGS-M3783-00X	CYLINDER	4		B	×
8	KV8-M37S2-00X	AIR SOCKET. 2 A'SSY	2		A	×
9	\$TSH4-M5M	JOINT	2		A	×
10	KV8-M66T2-00X	HNS I/O FEEDER	1		A	×
11	90990-17J007	O-RING	24		A	×
12	90990-22J022	PACKING	24		A	×
13	KGS-M3775-00X	AIR SOCKET 1	24		A	×
14	92A08-03303	SET SCREW	28		/	×
15						
16						
17						
18						
19						
20						
21						
22						
23						
24						
25						
26						
27						
28						
29						
30						
31						
32						
33						
34						
35						
36						
37						
38						

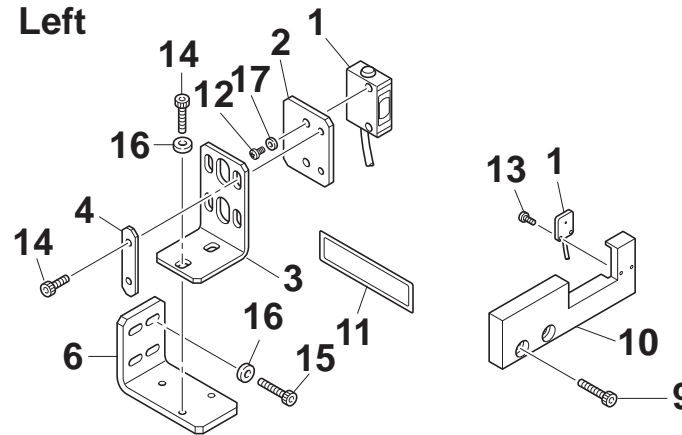
No.	Part No.	Part Name	Q'ty	Remarks	Rank	Level
39						
40						
41						
42						
43						
44						
45						
46						
47						
48						
49						
50						
51						
52						
53						
54						
55						
56						
57						
58						
59						
60						
61						
62						
63						
64						
65						
66						
67						
68						
69						
70						
71						
72						
73						
74						
75						
76						

KHW/KHV-0709

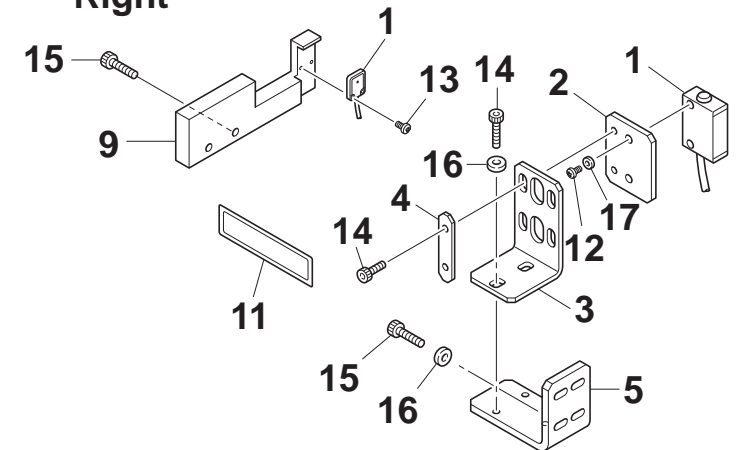


Front

Left

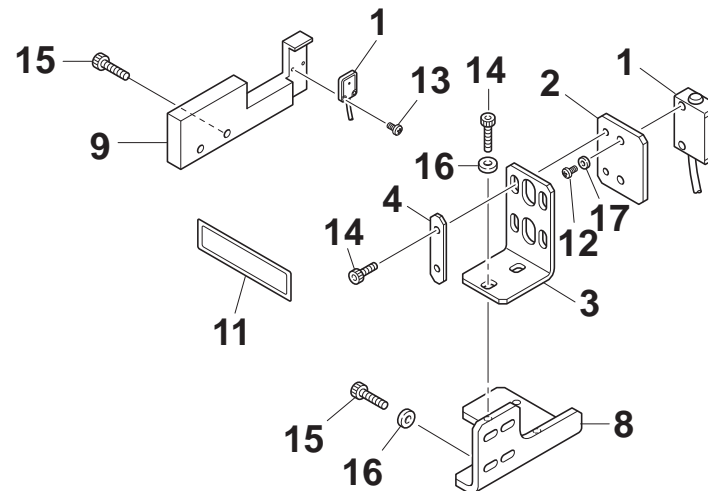


Right

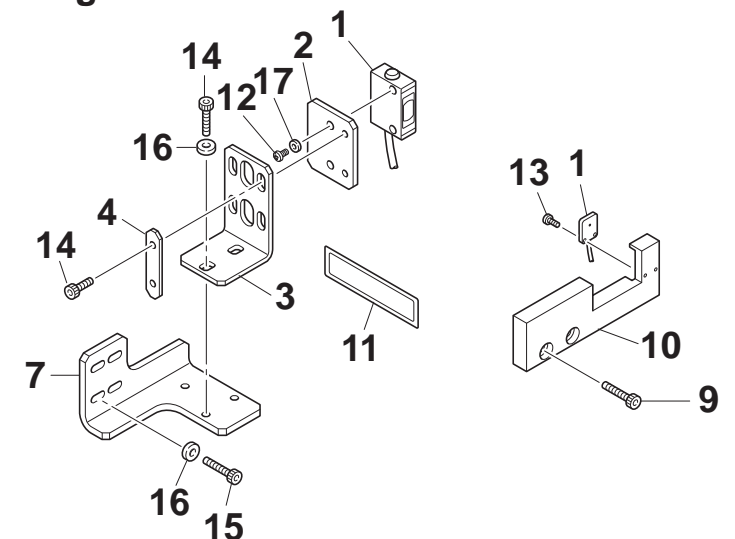


Back

Left



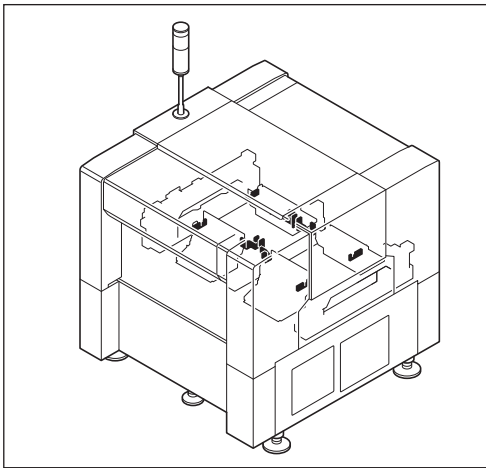
Right



No.	Part No.	Part Name	Q'ty	Remarks	Rank	Level
1	KGS-M3961-00X	SENSOR, LASER ASSY	1		B	△
2	KGS-M3951-00X	PLATE SENSOR	1		/	△
3	KGS-M3910-00X	BRACKET SENSOR, 1	1		/	△
4	KGS-M3906-00X	BRACKET 6	1		/	△
5	KGS-M3901-C0X	BRACKET SENSOR, 2	1		/	△
6	KGS-M3901-C0X	BRACKET SENSOR, 2	1		/	△
7	KGS-M3901-P0X	BRACKET SENSOR, 2	1		/	△
8	KGS-M3901-N0X	BRACKET SENSOR, 2	1		/	△
9	KGS-M941-00X	BRACET 4-1 SENSOR	1		/	△
10	KGS-M942-00X	BRACET 4-2 SENSOR	1		/	△
11	KG2-M3903-10X	SEAL, LASER	1		/	△
12	91317-03012	BOLT HEX. SOCKET HEAD	2			
13	90115-02J005	BOLT HEX. SOCKET HEAD	2			
14	91317-04010	BOLT HEX. SOCKET HEAD	4			
15	91317-04012	BOLT HEX. SOCKET HEAD	6			
16	92907-04200	WASHER PLAIN	6			
17	92907-03200	WASHER PLAIN	2			
18						
19						
20						
21						
22						
23						
24						
25						
26						
27						
28						
29						
30						
31						
32						
33						
34						
35						
36						
37						
38						

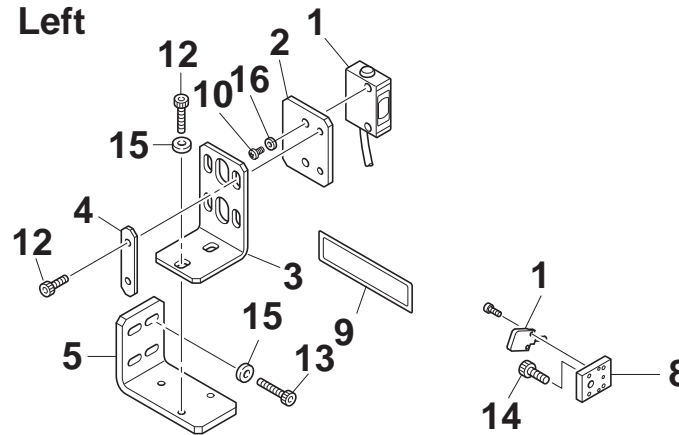
No.	Part No.	Part Name	Q'ty	Remarks	Rank	Level
39						
40						
41						
42						
43						
44						
45						
46						
47						
48						
49						
50						
51						
52						
53						
54						
55						
56						
57						
58						
59						
60						
61						
62						
63						
64						
65						
66						
67						
68						
69						
70						
71						
72						
73						
74						
75						
76						

KHW/KHV-0709

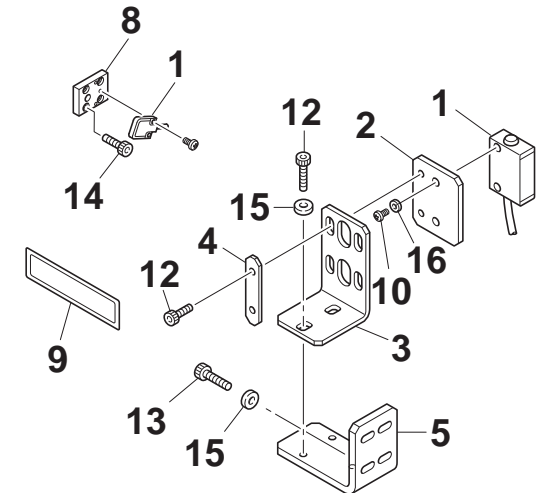


Front

Left

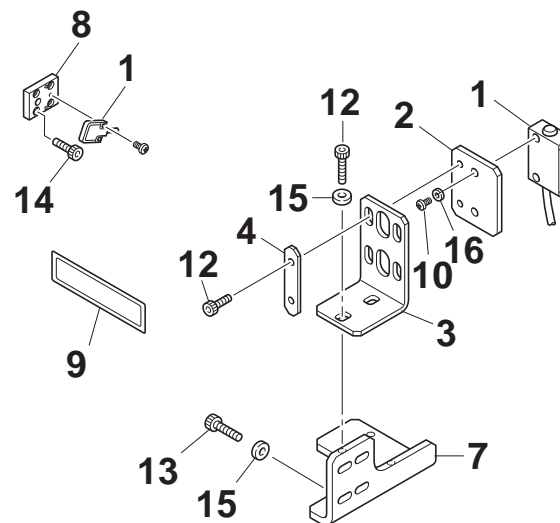


Right

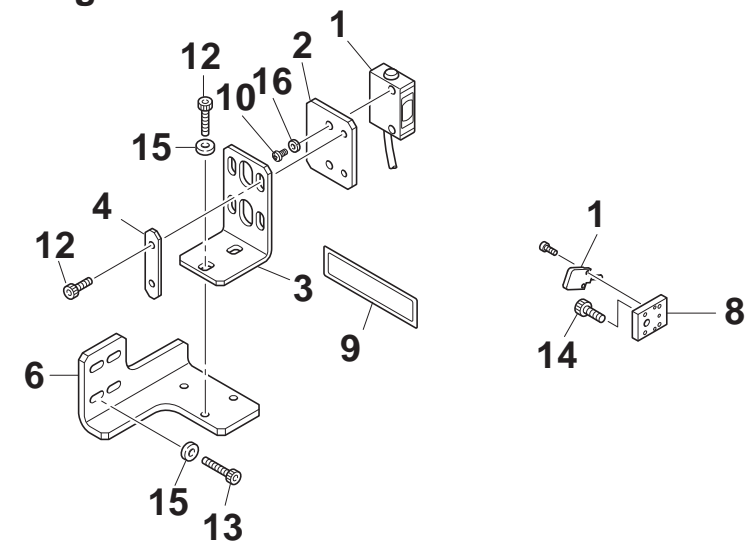


Back

Left



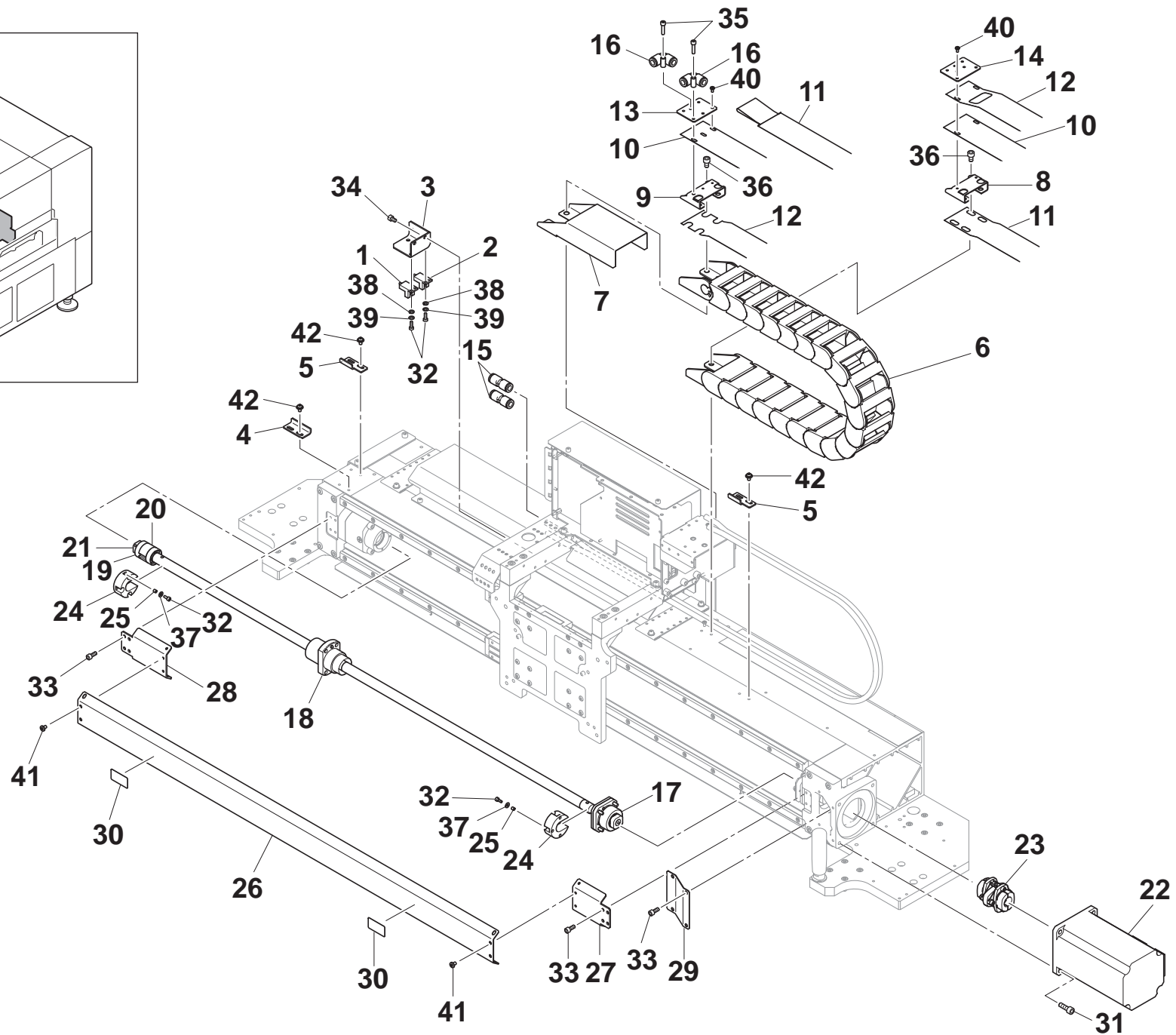
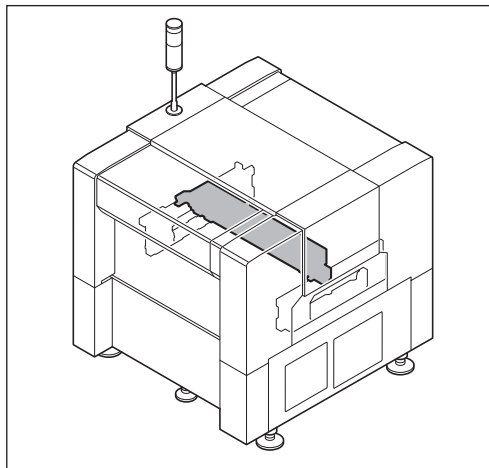
Right



No.	Part No.	Part Name	Q'ty	Remarks	Rank	Level
1	KGS-M3961-00X	SENSOR, LASER ASSY	1		B	△
2	KGS-M3951-00X	PLATE SENSOR	1		/	△
3	KGS-M3910-00X	BRACKET SENSOR, 1	1		/	△
4	KGS-M3906-00X	BRACKET 6	1		/	△
5	KGS-M3901-C0X	BRACKET SENSOR, 2	1		/	△
6	KGS-M3901-P0X	BRACKET SENSOR, 2	1		/	△
7	KGS-M3901-N0X	BRACKET SENSOR, 2	1		/	△
8	KGS-M3790-00X	SENSOR BRACET	1		/	△
9	KG2-M3903-10X	SEAL, LASER	1		/	△
10	91317-03012	BOLT HEX. SOCKET HEAD	2			
11	90115-02J005	BOLT HEX. SOCKET HEAD	2			
12	91317-04010	BOLT HEX. SOCKET HEAD	4			
13	91317-04012	BOLT HEX. SOCKET HEAD	4			
14	90115-02J006	BOLT HEX. SOCKET HEAD	2			
15	92907-04200	WASHER PLAIN	6			
16	92907-03200	WASHER PLAIN	2			
17						
18						
19						
20						
21						
22						
23						
24						
25						
26						
27						
28						
29						
30						
31						
32						
33						
34						
35						
36						
37						
38						

No.	Part No.	Part Name	Q'ty	Remarks	Rank	Level
39						
40						
41						
42						
43						
44						
45						
46						
47						
48						
49						
50						
51						
52						
53						
54						
55						
56						
57						
58						
59						
60						
61						
62						
63						
64						
65						
66						
67						
68						
69						
70						
71						
72						
73						
74						
75						
76						

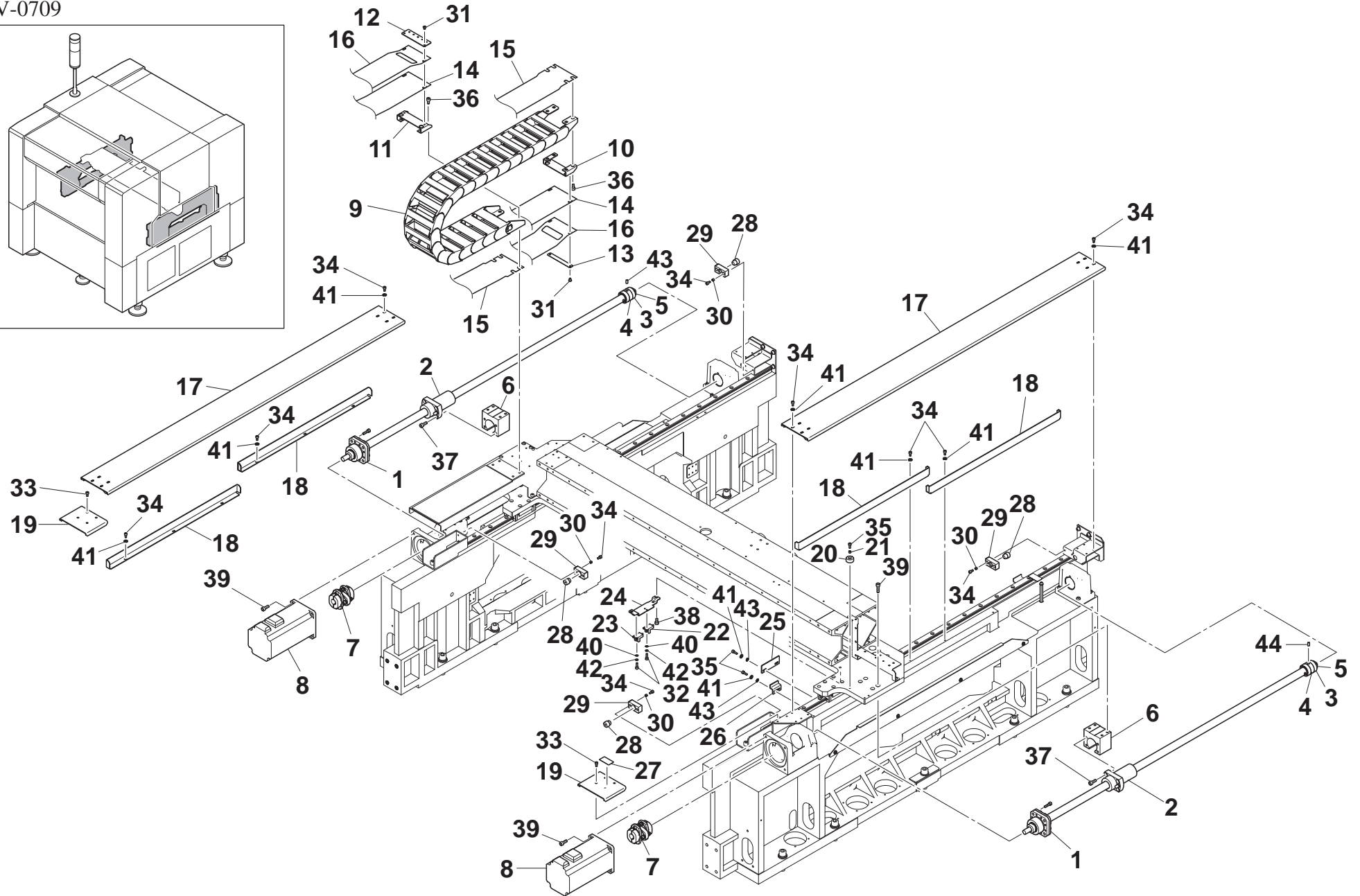
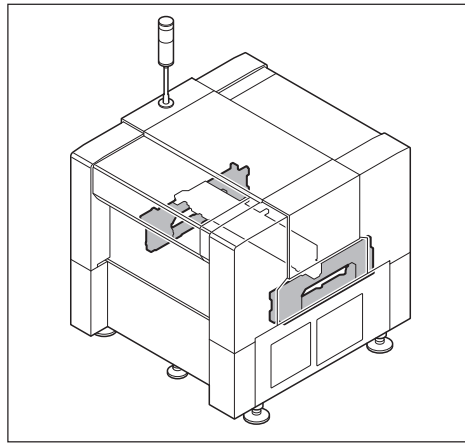
KHW/KHV-0709



No.	Part No.	Part Name	Q'ty	Remarks	Rank	Level
1	KHW-M220A-00X	SENSOR,XORG	1		B	×
2	KHW-M220B-00X	SENSOR,XOT	1		B	×
3	KHW-M2291-00X	BRACKET, SENSOR	1		/	×
4	KHW-M2282-00X	DOG, ORIGIN	1		/	×
5	KHW-M2283-00X	DOG, 2ND LIMIT	2		/	×
6	KGS-M2267-A0X	CABLE,DUCT	1		B	×
7	KGT-M221A-A0X	COVER,DUCT ASSY.	1		/	×
8	KGT-M2268-00X	BRACKET 1,TAPE	1		/	×
9	KHW-M2269-00X	BRACKET 2,TAPE	1		/	×
10	KGS-M220A-01X	TAPE ,X DUCT	1		/	×
11	KGS-M220B-00X	TAPE 2,X DUCT	1		/	×
12	KGS-M220C-00X	TAPE 3,X DUCT	1		/	×
13	KHW-M2266-00X	PLATE,NUT	1		/	×
14	KGT-M2266-10X	PLATE,NUT	1		/	×
15	\$US8	JOINT	2		/	○
16	\$UL8	JOINT	2		/	×
17	KHW-M224A-A0X	SUPPORT UNIT	1		/	×
18	KHW-M2271-00X	SCREW BALL, X AXIS	1		A	△
19	KGS-M2245-00X	BRG.,ANGULAR	1		/	×
20	KHW-M224E-00X	SPACER,BRG.SET	1		/	×
21	KG2-M9173-00X	LOCK NUT	1		/	×
22	90K63-511403	AC SERVO MOTOR	1		B	×
23	KM0-M2220-00X	COUPLING,X-AXIS	1		/	×
24	KHW-M2248-00X	DAMPER	2		/	○
25	KHW-M2249-00X	SPACER	6		/	○
26	KHW-M22C1-00X	COVER A,X AXIS	1		/	○
27	KHW-M22C2-00X	COVER B,X AXIS	1		/	○
28	KHW-M22C3-00X	COVER C,X AXIS	1		/	○
29	KHW-M22C4-00X	COVER,COUPLING X	1		/	○
30	KV7-M7165-00X	SEAL DON'T TOUCH	2		/	○
31	91317-06018	BOLT HEX.SOCKET HEAD	4	M6X8		
32	91312-03008	BOLT HEX.SOCKET HEAD	6	M3X8		
33	91312-04006	BOLT HEX.SOCKET HEAD	12	M4X6		
34	91312-04008	BOLT HEX.SOCKET HEAD	2	M4X8		
35	91312-04018	BOLT HEX.SOCKET HEAD	2	M4X18		
36	91312-06010	BOLT HEX.SOCKET HEAD	4	M6X10		
37	92902-03200	WASHER PLAIN	6			
38	92902-03600	WASHER PLAIN	4			

No.	Part No.	Part Name	Q'ty	Remarks	Rank	Level
39	92903-03100	WASHER SPRING	4			
40	98902-03006	SCREW BINDING HEAD	4			
41	98902-04006	SCREW BINDING HEAD	8			
42	90990-11J003	SCREW,PAN HEAD W/W	6			
43						
44						
45						
46						
47						
48						
49						
50						
51						
52						
53						
54						
55						
56						
57						
58						
59						
60						
61						
62						
63						
64						
65						
66						
67						
68						
69						
70						
71						
72						
73						
74						
75						
76						

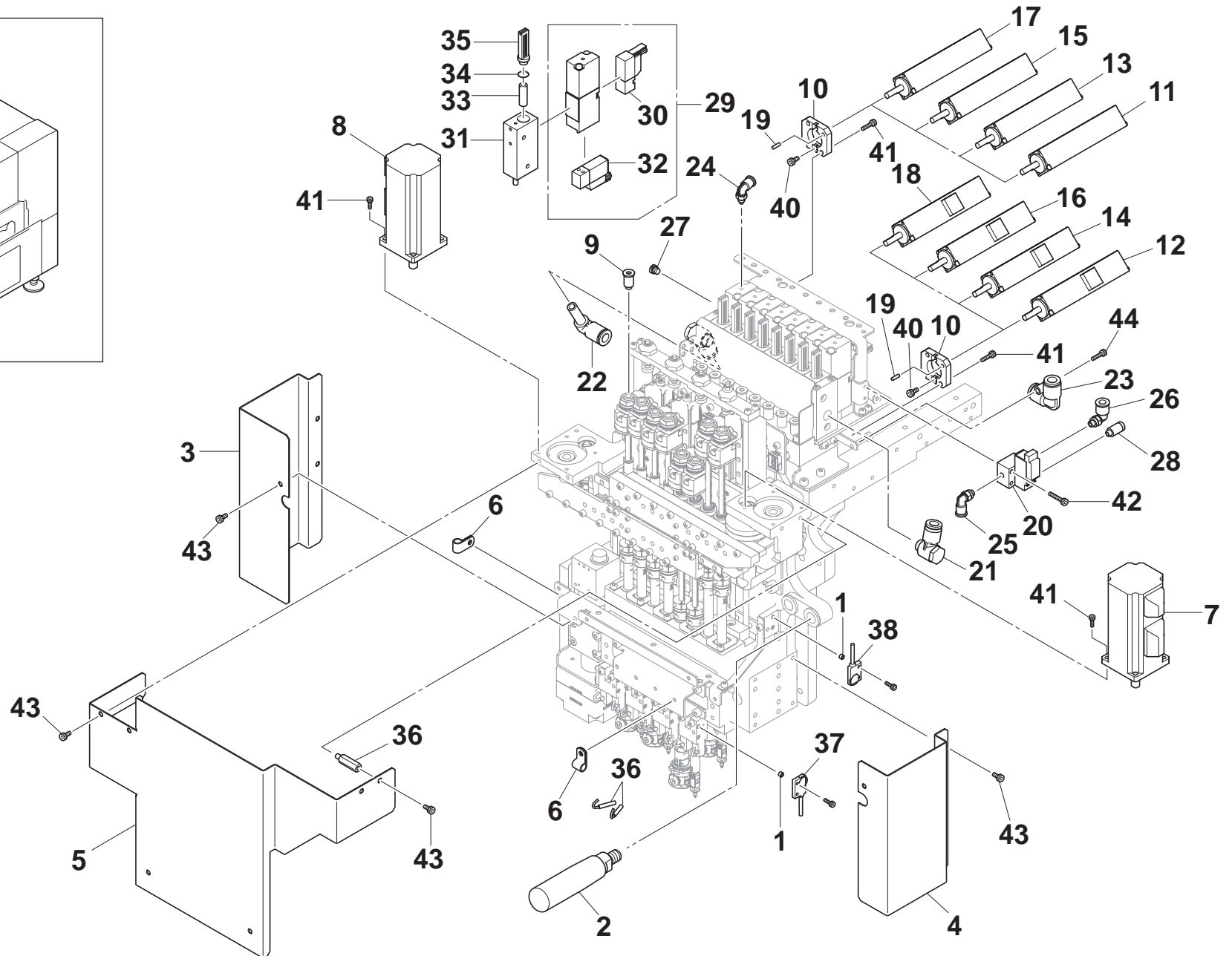
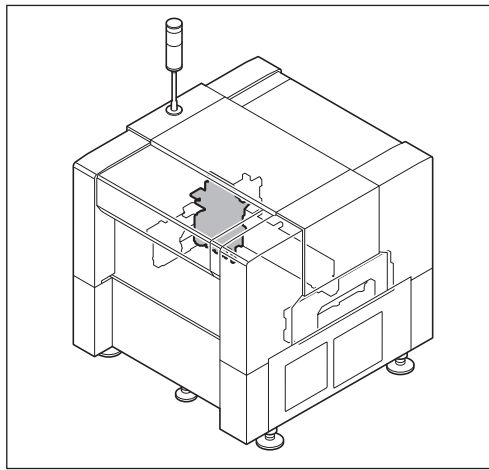
KHW/KHV-0709



No.	Part No.	Part Name	Q'ty	Remarks	Rank	Level
1	KHW-M264B-00X	SUPPORT UNIT	2		/	×
2	KHW-M2671-00X	SCREW BALL Y AXIS	2		A	△
3	KHW-M2645-00X	BRG.,ANGULAR	2		/	×
4	KHW-M264L-00X	SPACER,BRG.SET	2		/	×
5	KGS-M2628-00X	LOCK NUT	2		/	×
6	KGS-M2666-00X	HOLDER,NUT Y AXIS	2		/	×
7	KGR-M2611-00X	COUPLING,Y-AXIS	2		/	×
8	90K63-611404	AC SERVO MOTOR	2		B	×
9	KGS-M2678-A0X	GUIDE,CABLE Y	1		B	×
10	KV7-M2268-00X	BRACKET 1,TAPE	1		/	×
11	KV7-M2269-00X	BRACKET 2,TAPE	1		/	×
12	KV7-M2266-00X	PLATE,NUT	1		/	×
13	KGT-M2667-00X	PLATE	1		/	×
14	KGS-M260B-00X	TAPE, Y DUCT	1		/	×
15	KGS-M260C-00X	TAPE 2, Y DUCT	1		/	×
16	KGS-M260D-00X	TAPE 3, Y DUCT	1		/	×
17	KHW-M26C1-00X	COVER A,Y AXIS	2		/	○
18	KHW-M26C2-00X	COVER B,Y AXIS	4		/	○
19	KHW-M26C3-00X	COVER,COUPLING Y	2		/	○
20	KHW-M26C6-00X	SLIDER	4		/	×
21	KHW-M2656-00X	SPACER	4		/	×
22	KHW-M260A-00X	SENSOR,YORG	1		B	×
23	KHW-M260B-00X	SENSOR,YOT	1		B	×
24	KHW-M2691-00X	BRACKET, SENSOR	1		/	×
25	KHW-M2682-00X	DOG, ORG.	1		/	×
26	KHW-M2683-00X	DOG, 2ND LIMIT	2		/	×
27	KV7-M7165-00X	SEAL DON'T TOUCH	6		/	○
28	KV7-M2651-00X	DAMPER,STOPPER	1		/	○
29	KHW-M2654-00X	PLATE, DAMPER	1		/	○
30	KHW-M2656-00X	SPACER	2		/	○
31	98502-03004	SCREW PAN HEAD	4			
32	91312-03008	BOLT HEX.SOCKET HEAD	4	M3X8		
33	91312-04006	BOLT HEX.SOCKET HEAD	8	M4X6		
34	91312-04008	BOLT HEX.SOCKET HEAD	36	M4X8		
35	91312-04010	BOLT HEX.SOCKET HEAD	5	M4X10		
36	91312-06010	BOLT HEX.SOCKET HEAD	8	M6X10		
37	91312-06016	BOLT HEX.SOCKET HEAD	8	M6X16		
38	91317-06012	BOLT HEX.SOCKET HEAD	2	M6X12		

No.	Part No.	Part Name	Q'ty	Remarks	Rank	Level
39	91317-06018	BOLT HEX.SOCKET HEAD	16	M6XL18		
40	92902-03600	WASHER PLAIN	4			
41	92902-04200	WASHER PLAIN	41			
42	92907-03100	WASHER,SPRING	3			
43	92990-04400	WASHER EXTL.TOOTHED	13			
44	99480-05010	PIN,PARALLEL	2			
45						
46						
47						
48						
49						
50						
51						
52						
53						
54						
55						
56						
57						
58						
59						
60						
61						
62						
63						
64						
65						
66						
67						
68						
69						
70						
71						
72						
73						
74						
75						
76						

KHW/KHV-0709

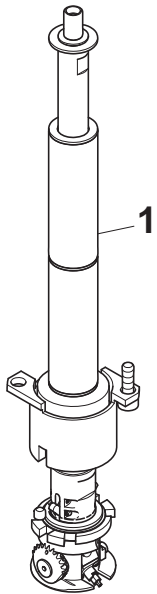


No.	Part No.	Part Name	Q'ty	Remarks	Rank	Level
1	KV8-M71VS-00X	COLLAR,SENSOR	4		/	×
2	KGS-M2256-000	GRIP	1		/	○
3	KHW-M71C2-00X	COVER,CAMERA	1		/	○
4	KHW-M71C3-00X	COVER,MACS	1		/	○
5	KHW-M71C5-00X	COVER,HEAD	1		/	○
6	\$NK-4N	NYLON CLIP	13		/	○
7	90K6C-025F11	AC SERVO MOTOR R1	1		B	×
8	90K6C-02E412	AC SERVO MOTOR R2	1		B	×
9	\$TSH4-M5M	JOINT	8		/	○
10	KHW-M712M-00X	BRACKET,MOTOR	8		/	×
11	90K6A-012203	AC SERVO MOTOR Z1	1		B	×
12	90K6A-01C204	AC SERVO MOTOR Z2	1		B	×
13	90K6A-012205	AC SERVO MOTOR Z3	1		B	×
14	90K6A-01C206	AC SERVO MOTOR Z4	1		B	×
15	90K6A-012207	AC SERVO MOTOR Z5	1		B	×
16	90K6A-01C208	AC SERVO MOTOR Z6	1		B	×
17	90K6A-012209	AC SERVO MOTOR Z7	1		B	×
18	90K6A-01C210	AC SERVO MOTOR Z8	1		B	×
19	99480-03010	PIN,PARALLEL	30		/	×
20	KGS-M7176-00X	VALVE	1		B	○
21	\$SL8-01	JOINT	2		/	○
22	\$ULA8	JOINT	1		/	○
23	\$UL8	JOINT	1		/	○
24	\$TL4-M3M	JOINT	8		/	×
25	\$TL4-M5M	JOINT	1		/	○
26	\$TL6-M5M	JOINT	1		/	○
27	\$PF	JOINT	1		/	○
28	\$KM-05	MUFFLER	1		/	○
29	KGS-M7171-A0X	EJECTOR	1	(SPARE)	C	×
30	KM1-M7163-20X	VALVE	1		C	×
31	KM5-M7174-C1X	EJECTOR BASE	1	(SPARE)	C	×
32	KM1-M7163-30X	VALVE	1		C	×
33	M46-M8527-C0X	FILTER	1	(SPARE)	E	○
34	90990-17J010	O-RING	1		E	○
35	KHW-M7171-G0X	FILTER CAP	1		/	○
36	KGS-M653K-00X	SENSOR POS SPARE	1		B	×
37	KHW-M653F-00X	SENSOR CLUTCH SPARE	1		B	×
38	KHW-M653G-10X	HNS SENSOR ASSY SF	1		B	×

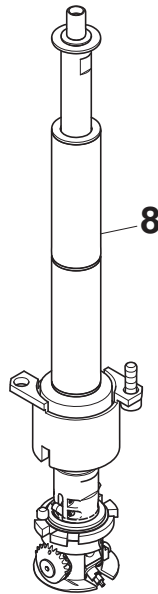
No.	Part No.	Part Name	Q'ty	Remarks	Rank	Level
39	90563-04J200	SPACER BOLT	2			
40	91317-03006	BOLT HEX.SOCKET HEAD	16	M3XL6		
41	91317-03010	BOLT HEX.SOCKET HEAD	28	M3XL10		
42	91317-03016	BOLT HEX.SOCKET HEAD	2	M3XL16		
43	91317-04006	BOLT HEX.SOCKET HEAD	12	M4XL6		
44	91317-04018	BOLT HEX.SOCKET HEAD	1	M4XL18		
45						
46						
47						
48						
49						
50						
51						
52						
53						
54						
55						
56						
57						
58						
59						
60						
61						
62						
63						
64						
65						
66						
67						
68						
69						
70						
71						
72						
73						
74						
75						
76						

KHW/KHV-0709

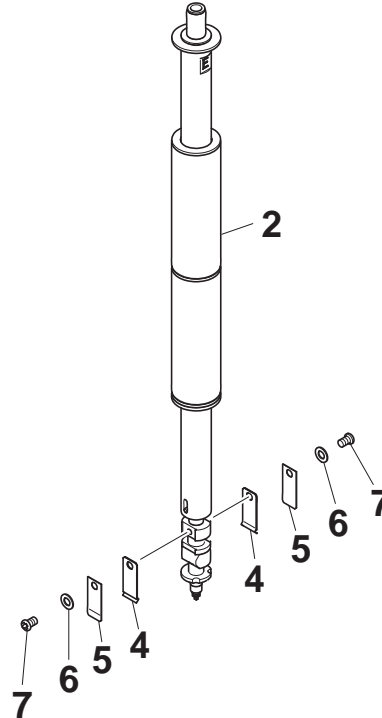
KHW-M711S-A0X
FNC SHAFT. SPARE
(No. ②, ④, ⑥, ⑧)
S.T.D nozzle



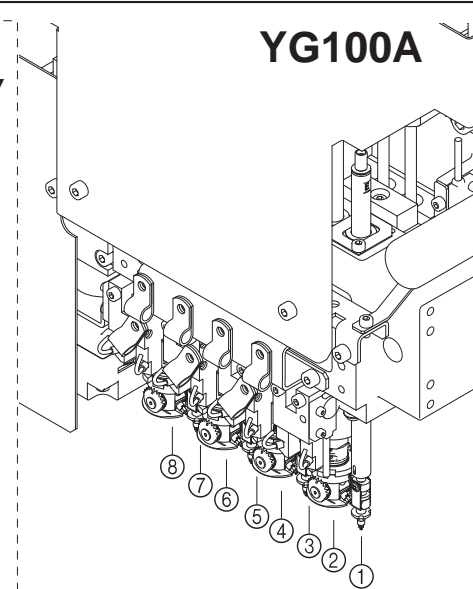
KHW-M711S-B0X
FNC SHAFT. SPARE
(No. ②, ④, ⑥, ⑧)
Circle nozzle



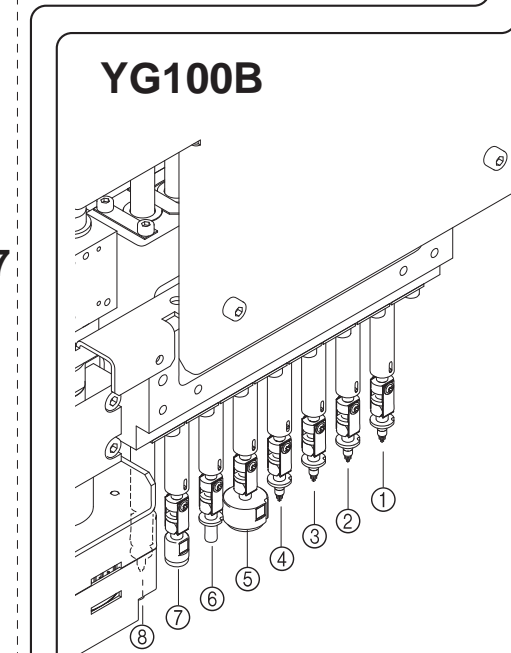
KHW-M7140-B0X
STD. SHAFT. HEAD SUB ASSY
(No. ①, ③, ⑤, ⑦)



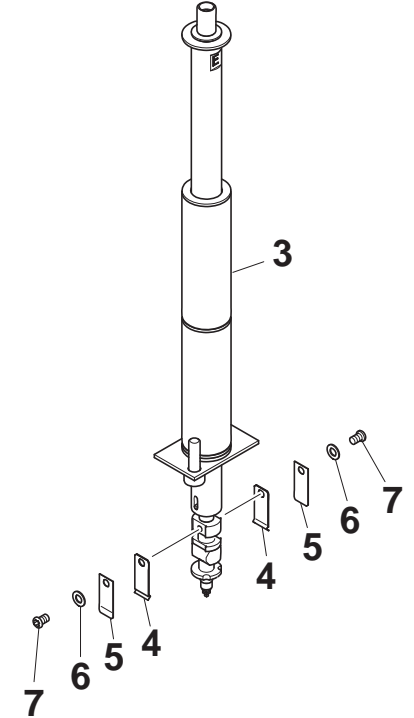
YG100A



YG100B



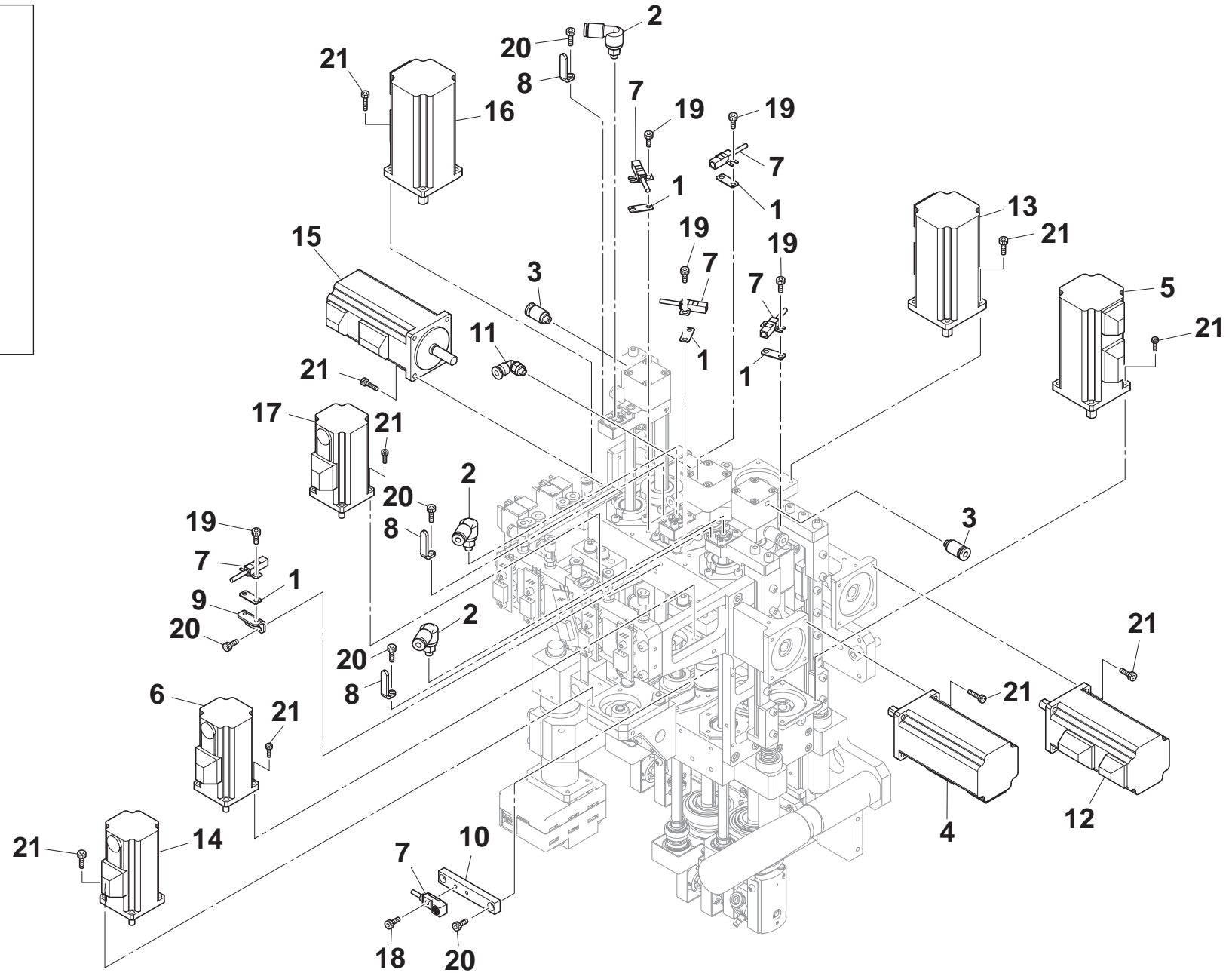
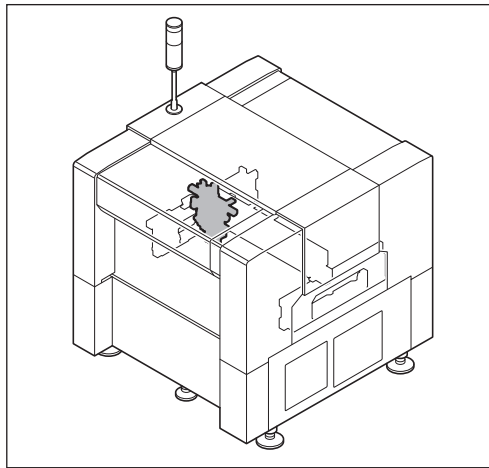
KHW-M713S-A0X
SF. SHAFT. SPARE
(No. ① ~ ⑧)



No.	Part No.	Part Name	Q'ty	Remarks	Rank	Level
1	KHW-M711S-A0X	FNC SHAFT SPARE	4		/	×
2	KHW-M7140-B0X	SHAFT HEAD SUB ASSY.	4		/	×
3	KHW-M713S-A0X	SHAFT HEAD SUB ASSY.	8		/	×
4	KG7-M7137-A0X	LEAF SPRING	2		E	○
5	KGS-M714W-03X	PLATE,SPRING	2		E	○
6	90990-28J002	WASHER PLAIN	2		E	○
7	KG7-M7169-00X	SCREW	2		E	○
8	KHW-M711S-B0X	FNC SHAFT SPARE	4		/	×
9						
10						
11						
12						
13						
14						
15						
16						
17						
18						
19						
20						
21						
22						
23						
24						
25						
26						
27						
28						
29						
30						
31						
32						
33						
34						
35						
36						
37						
38						

No.	Part No.	Part Name	Q'ty	Remarks	Rank	Level
39						
40						
41						
42						
43						
44						
45						
46						
47						
48						
49						
50						
51						
52						
53						
54						
55						
56						
57						
58						
59						
60						
61						
62						
63						
64						
65						
66						
67						
68						
69						
70						
71						
72						
73						
74						
75						
76						

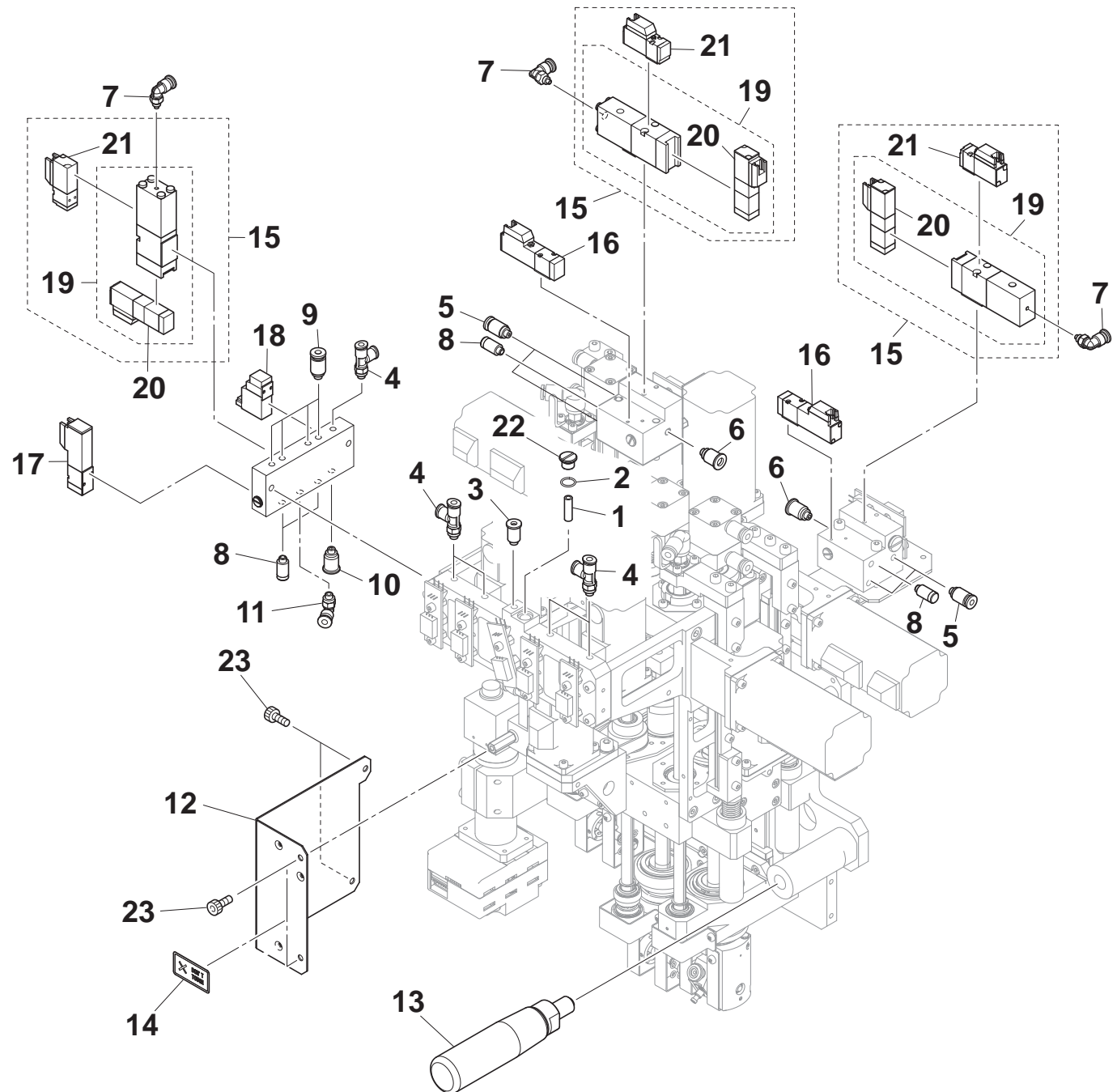
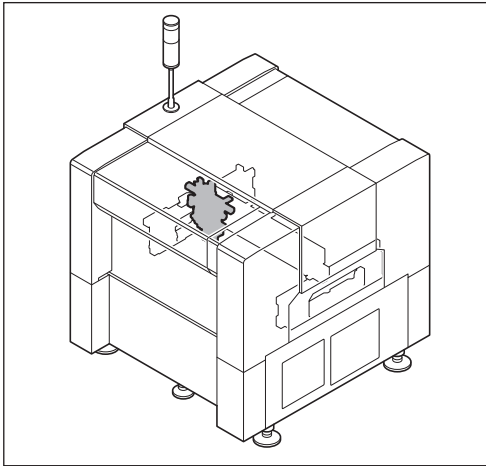
KHW/KHV-0709



No.	Part No.	Part Name	Q'ty	Remarks	Rank	Level
1	KGR-M7198-00X	PLATE, SENSOR	5		/	×
2	KGR-M7199-00X	JOINT	3		A	○
3	\$TSH4-M5	JOINT	4		/	○
4	90K6D-024E03	AC SERVO MOTOR Z1	1		B	×
5	90K6D-02FF11	AC SERVO MOTOR R1	1		B	×
6	90K6B-02G714	AC SERVO MOTOR N1	1		B	×
7	KHV-M653G-00X	HNS, SENSOR ASSY	3		B	×
8	KGR-M71C8-00X	BRACKET, JOINT	1		B	○
9	KGR-M7112-00X	BRACKET, SENSOR	1		/	×
10	KGR-M7113-00X	STAY, SENSOR	1		/	×
11	\$TL4-M5M	JOINT	2		/	○
12	90K6D-02EE04	AC SERVO MOTOR Z2	1		B	×
13	90K6D-02F512	AC SERVO MOTOR R2	1		B	×
14	90K6B-02JJ15	AC SERVO MOTOR N2	1		B	×
15	90K6D-025F05	AC SERVO MOTOR Z3	1		B	×
16	90K6D-026613	AC SERVO MOTOR R3	1		B	×
17	90K6B-02F616	AC SERVO MOTOR N3	1		B	×
18	98507-03008	SCREW PAN HEAD	1			
19	91317-03006	BOLT HEX. SOCKET HEAD	10			
20	91317-03008	BOLT HEX. SOCKET HEAD	11			
21	91317-03010	BOLT HEX. SOCKET HEAD	16			
22						
23						
24						
25						
26						
27						
28						
29						
30						
31						
32						
33						
34						
35						
36						
37						
38						

No.	Part No.	Part Name	Q'ty	Remarks	Rank	Level
39						
40						
41						
42						
43						
44						
45						
46						
47						
48						
49						
50						
51						
52						
53						
54						
55						
56						
57						
58						
59						
60						
61						
62						
63						
64						
65						
66						
67						
68						
69						
70						
71						
72						
73						
74						
75						
76						

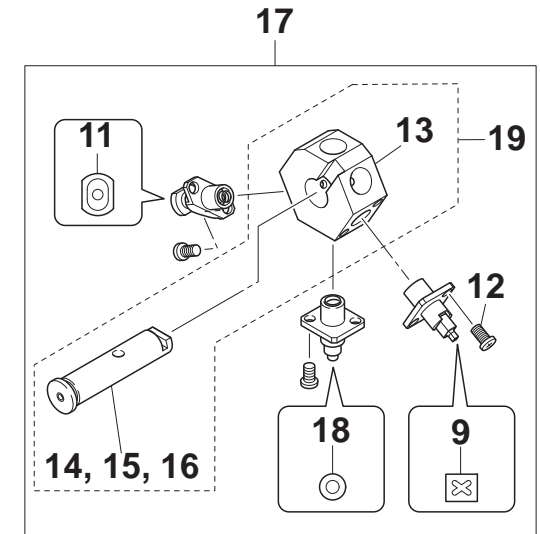
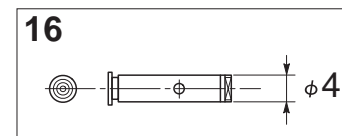
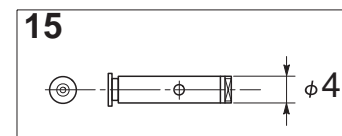
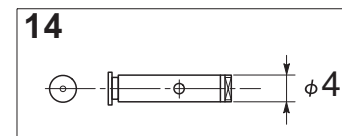
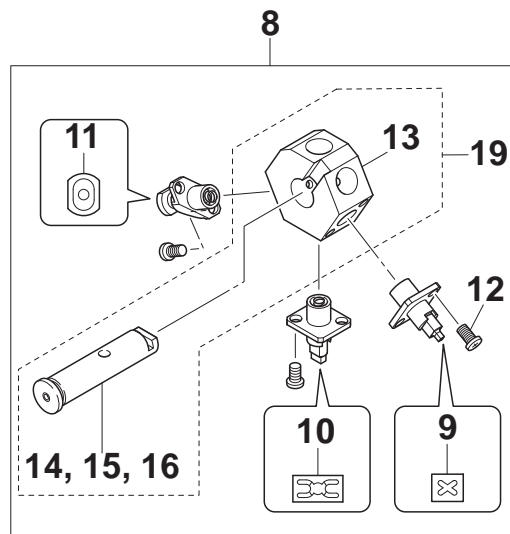
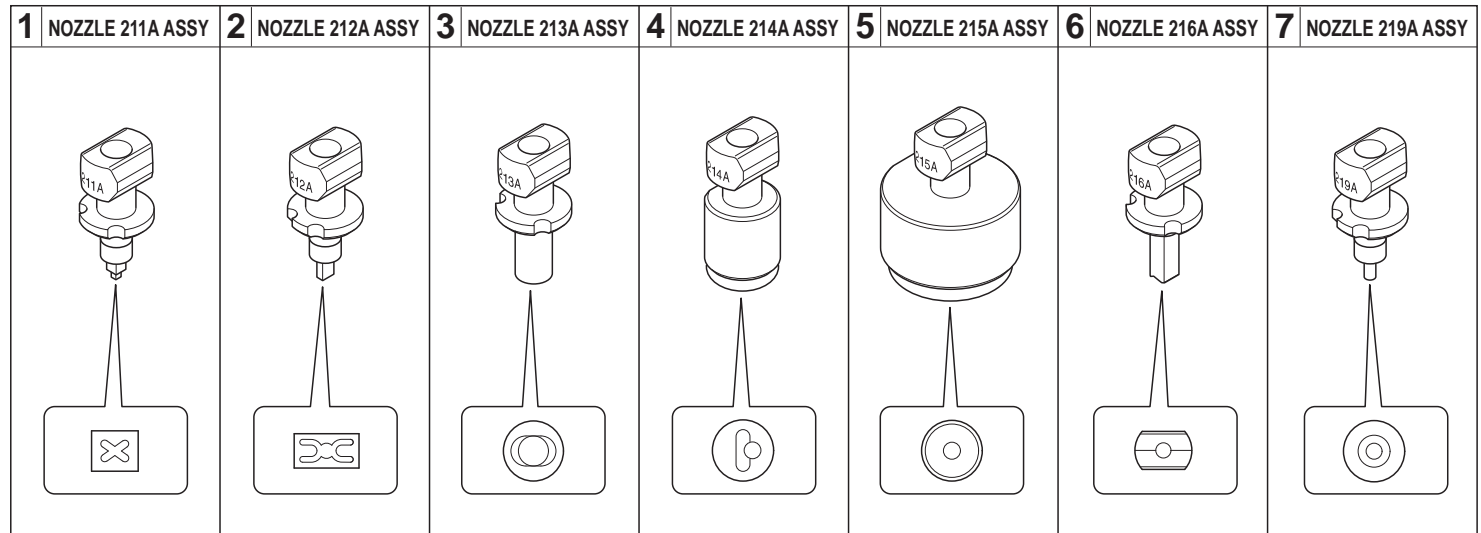
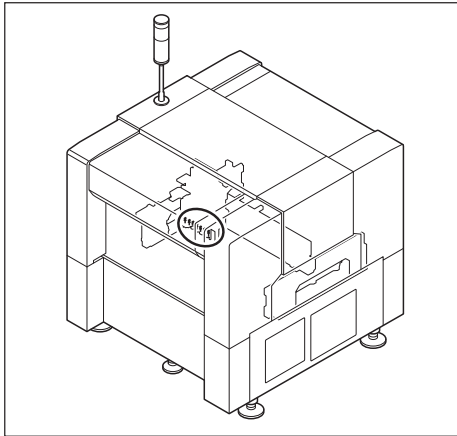
KHW/KHV-0709



No.	Part No.	Part Name	Q'ty	Remarks	Rank	Level
1	K46-M8527-C0X	FILTER (SZ65111)	1		/	○
2	90990-17J008	O-RING	1		A	○
3	\$TSH4-M5M	JOINT	1		/	○
4	\$TB4-M5M	JOINT	4		/	○
5	\$TSH4-M5	JOINT	2		/	○
6	\$TSH6-M5M	JOINT	1		/	○
7	\$TL4-M3M	JOINT	1		/	○
8	\$KM-05	MUFFLER	1		/	○
9	\$TSH4-M5	JOINT	4		/	○
10	\$TSH6-M5M	JOINT	1		/	○
11	\$TL4-M5M	JOINT	1		/	○
12	KGR-M71C1-02X	COVER, CAMERA	1		/	○
13	KV7-M2256-00X	GRIP	1		/	○
14	KV7-M7165-00X	SEAL DON'T TOUCH	3		/	○
15	KGR-M7111-A0X	EJECTOR	2		B	○
16	KGR-M7111-B0X	VALVE	2		B	○
17	KGR-M7111-C0X	VALVE	3		B	○
18	KGS-M37P1-00X	VALVE	1		B	○
19	KGR-M7111-F0X	EJECTOR,SPARE	2		B	○
20	KGA-M7111-H0X	VALVE	2		B	○
21	KGA-M7111-G0X	VALVE	2		B	○
22	KM5-M7174-F0X	FILTER CAP	1		/	○
23	91317-04006	BOLT HEX. SOCKET HEAD	4			
24						
25						
26						
27						
28						
29						
30						
31						
32						
33						
34						
35						
36						
37						
38						

No.	Part No.	Part Name	Q'ty	Remarks	Rank	Level
39						
40						
41						
42						
43						
44						
45						
46						
47						
48						
49						
50						
51						
52						
53						
54						
55						
56						
57						
58						
59						
60						
61						
62						
63						
64						
65						
66						
67						
68						
69						
70						
71						
72						
73						
74						
75						
76						

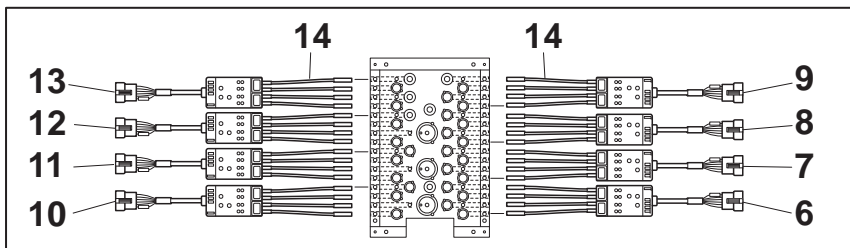
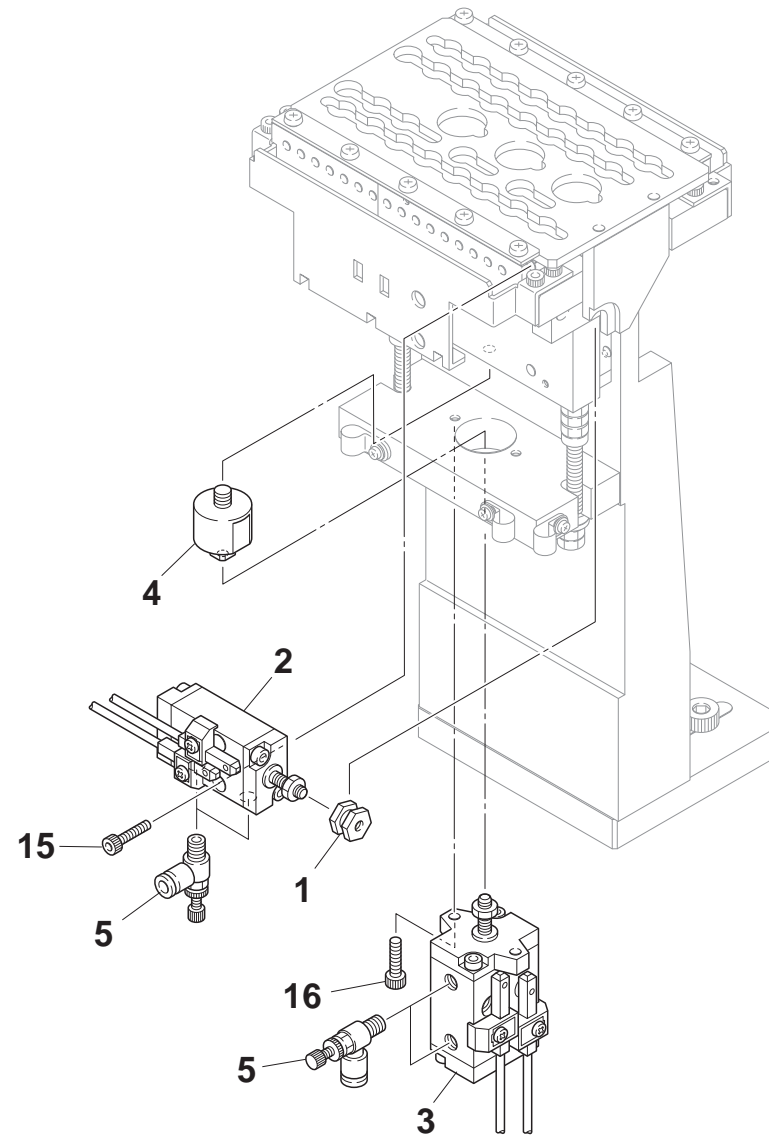
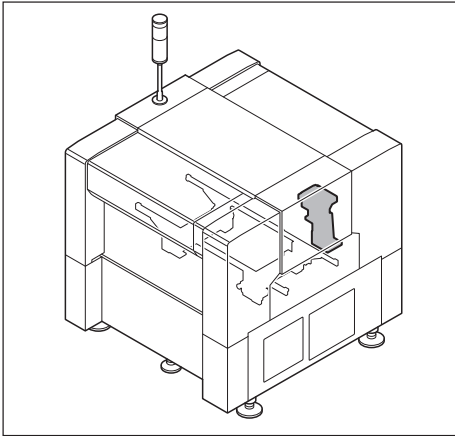
KHW/KHV-0709



No.	Part No.	Part Name	Q'ty	Remarks	Rank	Level
1	KGS-M7710-A1X	NOZZLE 211A ASSY.	1		E	○
2	KGS-M7720-A1X	NOZZLE 212A ASSY.	1		E	○
3	KGS-M7730-01X	NOZZLE 213A	1		E	○
4	KGS-M7740-A1X	NOZZLE 214A ASSY.	1		E	○
5	KGS-M7750-A1X	NOZZLE 215A ASSY.	1		E	○
6	KGS-M7760-01X	NOZZLE 216A	1		E	○
7	KGS-M7790-A1X	NOZZLE 219A ASSY.	1		E	○
8	KV8-M711N-A0X	NOZZLE & SHAFT ASSY.	1	(TYPE 72)	E	○
9	KV8-M71N1-A1X	NOZZLE 71F ASSY.	1		E	○
10	KV8-M71N2-A1X	NOZZLE 72F ASSY.	1		E	○
11	KV8-M71N3-A0X	NOZZLE 73F ASSY.	1		E	○
12	KV8-M71U5-00X	SCREW	6		E	○
13	KV8-M71U8-00X	BLOCK, NOZZLE	1		E	○
14	KV8-M71R1-10X	SHAFT 1	1		E	○
15	KV8-M71R1-20X	SHAFT 1	1		E	○
16	KV8-M71R1-30X	SHAFT 1	1		E	○
17	KV8-M712N-A0X	NOZZLE & SHAFT ASSY.	1	(TYPE 79)	E	○
18	KV8-M71N9-A1X	NOZZLE 79F ASSY.	1		E	○
19	KV8-M713N-A0X	BLOCK & SHAFT ASSY.	1		E	○
20						
21						
22						
23						
24						
25						
26						
27						
28						
29						
30						
31						
32						
33						
34						
35						
36						
37						
38						

No.	Part No.	Part Name	Q'ty	Remarks	Rank	Level
39						
40						
41						
42						
43						
44						
45						
46						
47						
48						
49						
50						
51						
52						
53						
54						
55						
56						
57						
58						
59						
60						
61						
62						
63						
64						
65						
66						
67						
68						
69						
70						
71						
72						
73						
74						
75						
76						

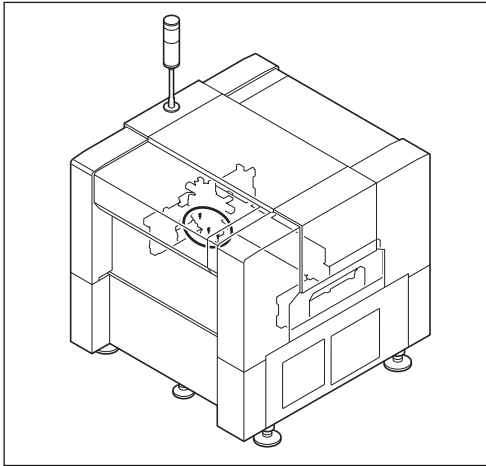
KHW/KHV-0709



No.	Part No.	Part Name	Q'ty	Remarks	Rank	Level
1	KGS-M9604-00X	JOINT CYL.	1		/	×
2	KGS-M9605-A0X	CYLINDER, CLAMP	1		B	×
3	KGS-M9611-A0X	CYLINDER, U/D	1		B	×
4	KM1-M9612-00X	JOINT CYL. U/D	1		/	×
5	SSC4-M5A	SPEED CONTROLLER	4		/	×
6	KGS-M655A-10X	SWITCH, OPT. ASSY.	1		B	×
7	KGS-M655A-20X	SWITCH, OPT. ASSY.	1		B	×
8	KGS-M655A-30X	SWITCH, OPT. ASSY.	1		B	×
9	KGS-M655A-40X	SWITCH, OPT. ASSY.	1		B	×
10	KGS-M655A-50X	SWITCH, OPT. ASSY.	1		B	×
11	KGS-M655A-60X	SWITCH, OPT. ASSY.	1		B	×
12	KGS-M655A-70X	SWITCH, OPT. ASSY.	1		B	×
13	KGS-M655A-80X	SWITCH, OPT. ASSY.	1		B	×
14	KGS-M655B-00X	FIBER	32		B	×
15	91317-03016	BOLT HEX. SOCKET HEAD	2			
16	91317-04016	BOLT HEX. SOCKET HEAD	2			
17						
18						
19						
20						
21						
22						
23						
24						
25						
26						
27						
28						
29						
30						
31						
32						
33						
34						
35						
36						
37						
38						

No.	Part No.	Part Name	Q'ty	Remarks	Rank	Level
39						
40						
41						
42						
43						
44						
45						
46						
47						
48						
49						
50						
51						
52						
53						
54						
55						
56						
57						
58						
59						
60						
61						
62						
63						
64						
65						
66						
67						
68						
69						
70						
71						
72						
73						
74						
75						
76						

KHW/KHV-0709

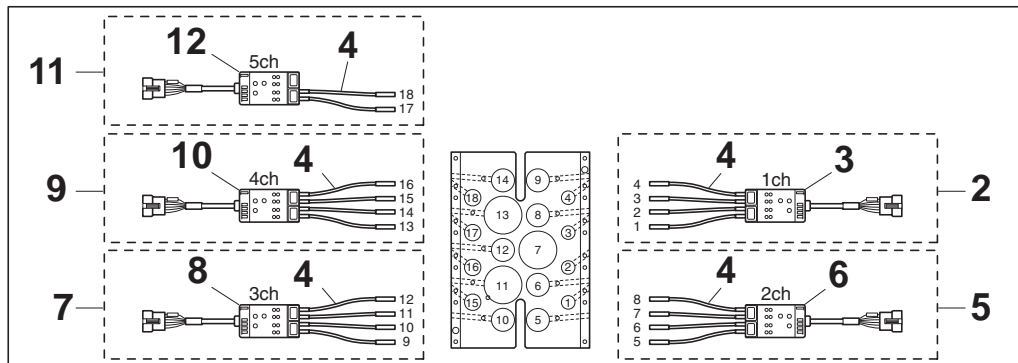
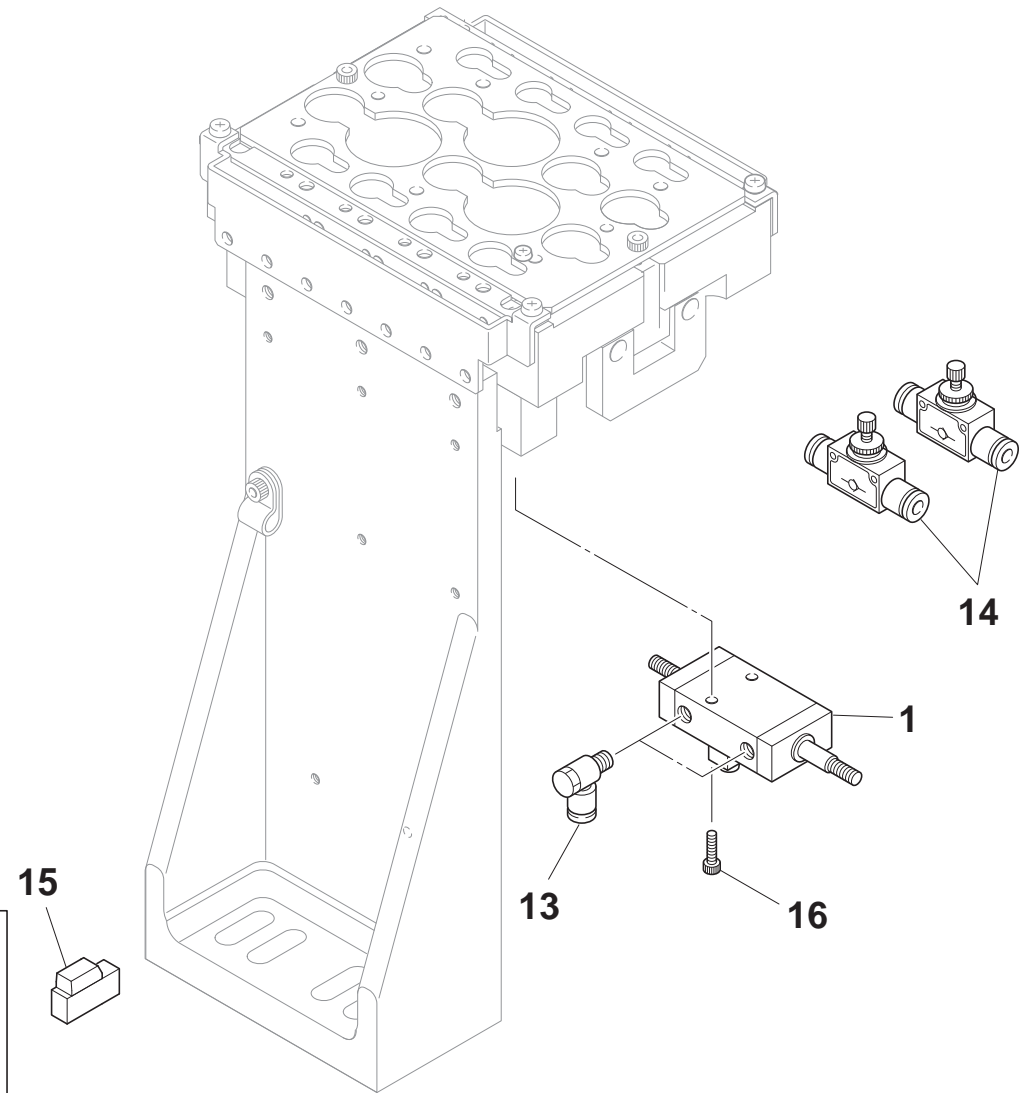
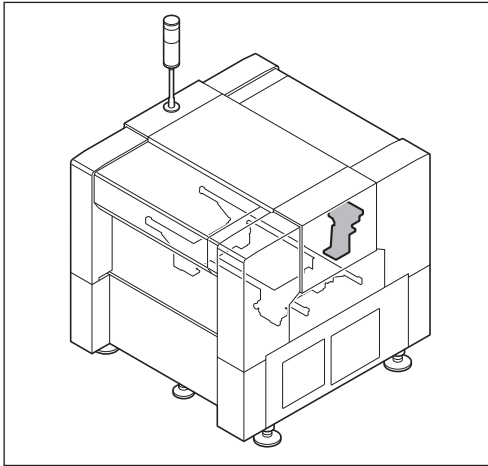


<p>1 NOZZLE 221F ASSY</p>	<p>5 NOZZLE 222F ASSY</p>	<p>9 NOZZLE 223F ASSY</p>	
<p>13 NOZZLE 224F ASSY</p>	<p>20 NOZZLE 225F ASSY</p>	<p>27 NOZZLE 229F ASSY</p>	<p>31 NOZZLE HOLDER</p>

No.	Part No.	Part Name	Q'ty	Remarks	Rank	Level
1	KGR-M71N1-A0X	NOZZLE 221F ASSY.	3		E	○
2	KGR-M71N1-B0X	NOZZLE 221F SUB ASSY	1		E	○
3	KV7-M71M6-01X	SCREW, NOZZLE	6		E	○
4	90200-02J038	O-RING	5		E	○
5	KGR-M71N2-A0X	NOZZLE 222F ASSY.	1		E	○
6	KGR-M71N2-B0X	NOZZLE 222F SUB ASSY	1		E	○
7	KV7-M71M6-01X	SCREW, NOZZLE	6		E	○
8	90200-02J038	O-RING	5		E	○
9	KGR-M71N3-A1X	NOZZLE 223F ASSY.	3		E	○
10	KGR-M71N3-B1X	NOZZLE 223F SUB ASSY	1		E	○
11	KV7-M71M6-01X	SCREW, NOZZLE	6		E	○
12	90200-02J038	O-RING	5		E	○
13	KGR-M71N4-A0X	NOZZLE 224F ASSY.	3		E	○
14	KGR-M71N4-00X	BODY, NOZZLE 4	1		E	○
15	90990-17J013	O-RING	5		E	○
16	90200-02J038	O-RING	5		E	○
17	92A08-03305	SCREW, SET	3		E	○
18	90990-17J027	O-RING	3		E	○
19	KGR-M71M4-00X	PLATE, MESH	3		E	○
20	KGR-M71N5-A0X	NOZZLE 225F ASSY.	3		E	○
21	KGR-M71N5-00X	BODY, NOZZLE 5	1		E	○
22	90990-17J014	O-RING	5		E	○
23	90200-02J038	O-RING	5		E	○
24	92A08-03305	SCREW, SET	3		E	○
25	90990-17J027	O-RING	3		E	○
26	KGR-M71M4-00X	PLATE, MESH	3		E	○
27	KGR-M71N9-A0X	NOZZLE 229F ASSY.	1		E	○
28	KGR-M71N9-B0X	NOZZLE 229F SUB ASSY	1		E	○
29	KV7-M71M6-01X	SCREW, NOZZLE	6		E	○
30	90200-02J038	O-RING	5		E	○
31	KGR-M71M0-A1X	NOZZLE HOLDER ASSY.	2		E	○
32	KGR-M71M0-00X	HOLDER NOZZLE SP	1		E	○
33	90200-02J065	O-RING	5		E	○
34	KGR-M71M3-00X	LEAF SPRING	4		E	○
35	90990-08J002	SCREW,PAN HEAD	4		E	○
36	92A08-03303	SET SCREW M3X3	3		E	○
37	KGS-M714W-03X	PLATE,SPRING	4		E	○
38						

No.	Part No.	Part Name	Q'ty	Remarks	Rank	Level
39						
40						
41						
42						
43						
44						
45						
46						
47						
48						
49						
50						
51						
52						
53						
54						
55						
56						
57						
58						
59						
60						
61						
62						
63						
64						
65						
66						
67						
68						
69						
70						
71						
72						
73						
74						
75						
76						

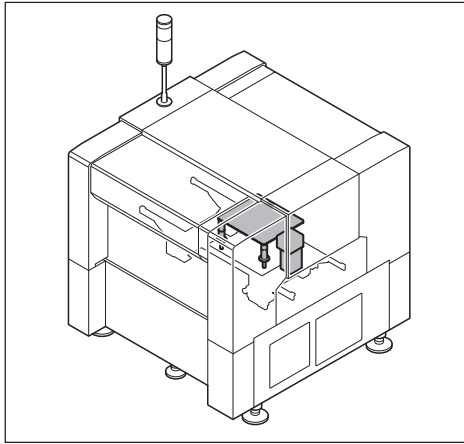
KHW/KHV-0709



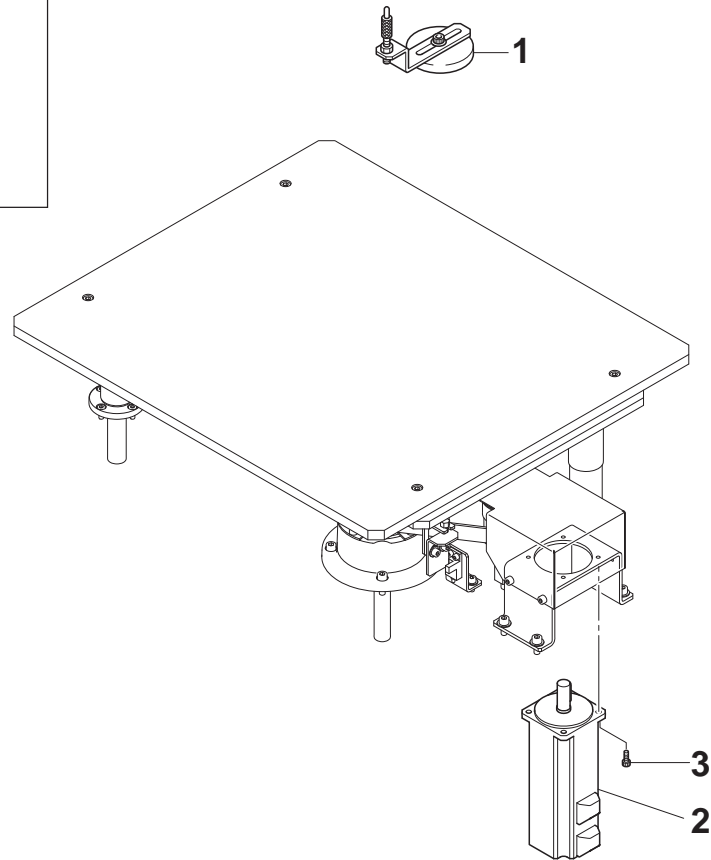
No.	Part No.	Part Name	Q'ty	Remarks	Rank	Level
1	KGR-M9612-00X	AIR CYLINDER ASSY	1		B	×
2	KGS-M655A-A0X	SENSOR, 1-1	1		B	×
3	KGS-M655A-10X	SWITCH, OPT. ASSY.	1		B	×
4	KGS-M655B-00X	FIBER	4		B	×
5	KGS-M655A-B0X	SENSOR, 1-1	1		B	×
6	KGS-M655A-20X	SWITCH, OPT. ASSY.	1		B	×
7	KGS-M655A-C0X	SENSOR, 1-1	1		B	×
8	KGS-M655A-30X	SWITCH, OPT. ASSY.	1		B	×
9	KGS-M655A-D0X	SENSOR, 1-1	1		B	×
10	KGS-M655A-40X	SWITCH, OPT. ASSY.	1		B	×
11	KGR-M655A-E0X	SENSOR, 1-1	1		B	×
12	KGS-M655A-50X	SWITCH, OPT. ASSY.	1		B	×
13	SSL4-M5	JOINT	2		/	×
14	SSSU4	SPEED CONTROLLER	2		/	×
15	KG2-M8582-40X	VALVE	1		B	×
16	91317-03014	BOLT HEX. SOCKET HEAD	2			
17						
18						
19						
20						
21						
22						
23						
24						
25						
26						
27						
28						
29						
30						
31						
32						
33						
34						
35						
36						
37						
38						

No.	Part No.	Part Name	Q'ty	Remarks	Rank	Level
39						
40						
41						
42						
43						
44						
45						
46						
47						
48						
49						
50						
51						
52						
53						
54						
55						
56						
57						
58						
59						
60						
61						
62						
63						
64						
65						
66						
67						
68						
69						
70						
71						
72						
73						
74						
75						
76						

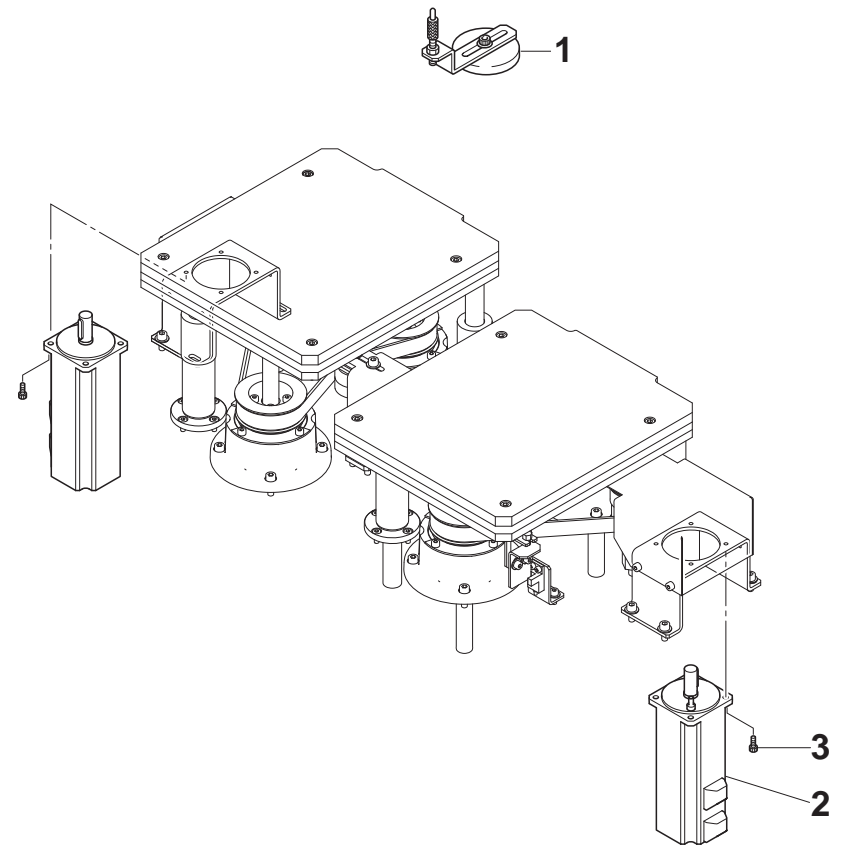
KHW/KHV-0709



Single



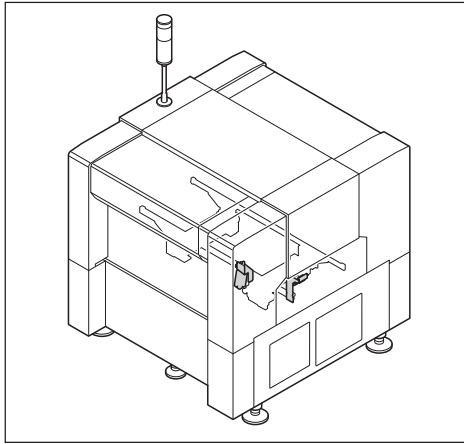
Double



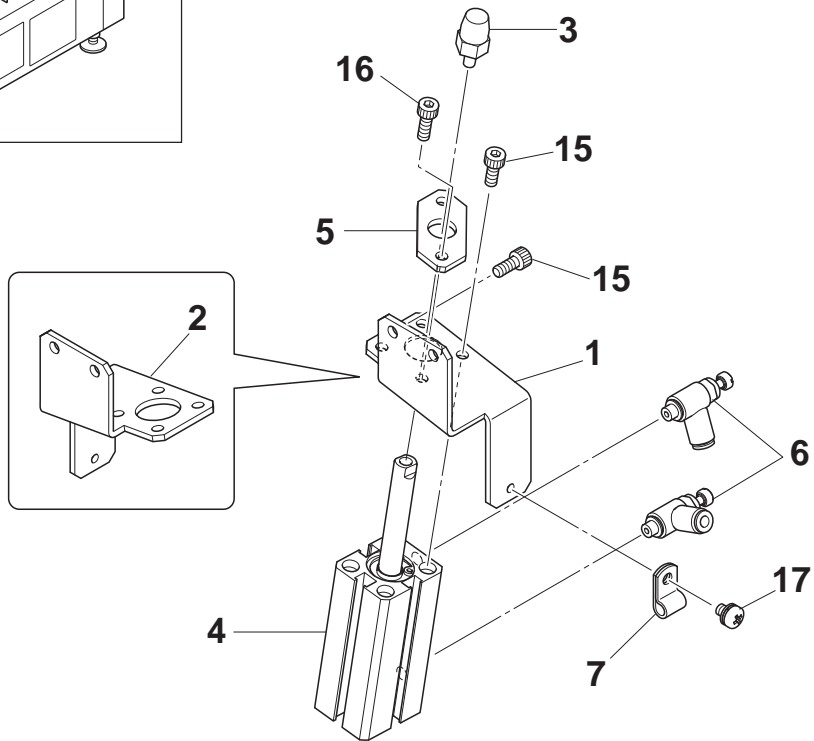
No.	Part No.	Part Name	Q'ty	Remarks	Rank	Level
1	KV7-M921D-100	PUSH UP PIN UNIT	9		/	○
2	90K63-331512	AC SERVO MOTOR	3		B	×
3	91312-04008	BOLT HEX.SOCKET HEAD	8	M4X8		
4						
5						
6						
7						
8						
9						
10						
11						
12						
13						
14						
15						
16						
17						
18						
19						
20						
21						
22						
23						
24						
25						
26						
27						
28						
29						
30						
31						
32						
33						
34						
35						
36						
37						
38						

No.	Part No.	Part Name	Q'ty	Remarks	Rank	Level
39						
40						
41						
42						
43						
44						
45						
46						
47						
48						
49						
50						
51						
52						
53						
54						
55						
56						
57						
58						
59						
60						
61						
62						
63						
64						
65						
66						
67						
68						
69						
70						
71						
72						
73						
74						
75						
76						

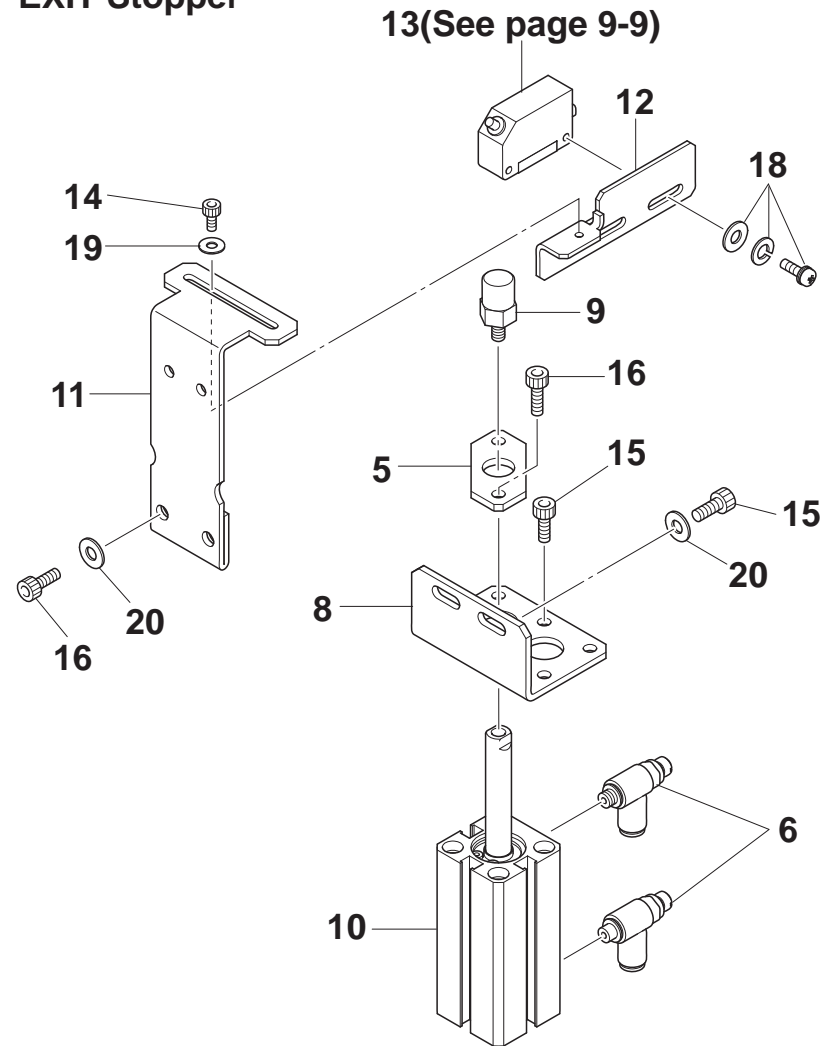
KHW/KHV-0709



Sub Stopper



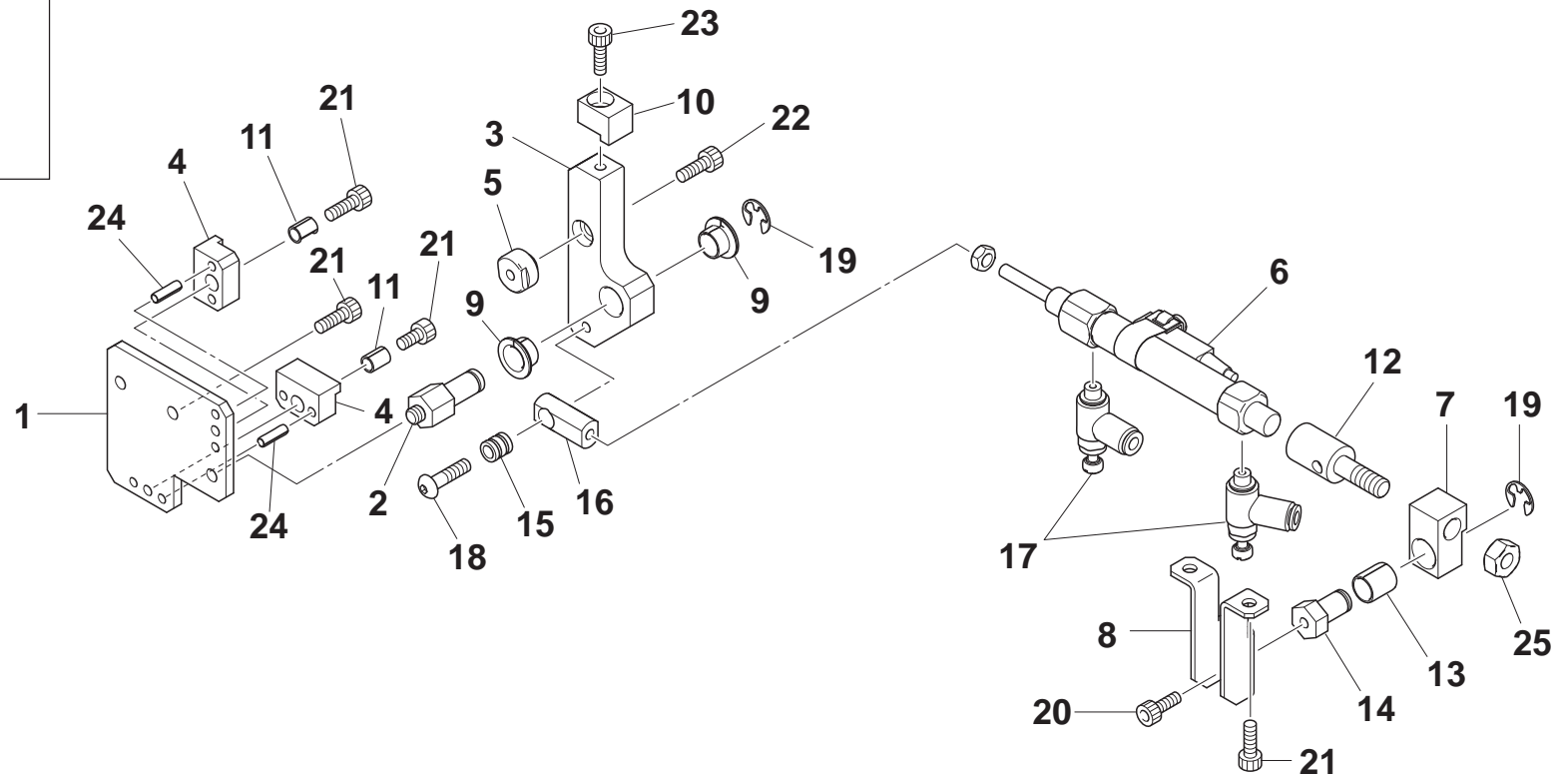
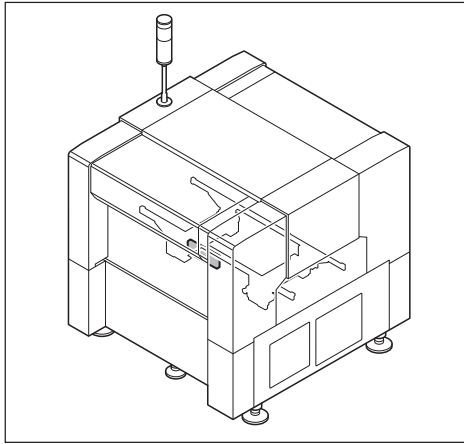
EXIT Stopper



No.	Part No.	Part Name	Q'ty	Remarks	Rank	Level
1	KHW-M9281-00X	BRKT.,STOPPER FR	1	R>L	/	×
2	KHW-M9281-10X	BRKT.,STOPPER RR	1	L>R	/	×
3	KHW-M9282-00X	STOPPER,SUB	1		/	×
4	KHW-M9283-A0X	CYLINDER ASSY.	1		B	○
5	KHW-M9284-00X	PLATE,STOPPER	1		/	○
6	KHW-M916L-00X	SPEED CONTROLLER	2		/	○
7	\$NK-3N	NYLON CLIP	1			
8	KHW-M9271-00X	PLATE,STOPPER	1		/	×
9	KHW-M9272-00X	STOPPER,EXIT	1		/	×
10	KHW-M9273-00X	CYLINDER	1		B	×
11	KHW-M9144-00X	BRACKET 3,SENSOR	1		/	×
12	KHW-M912A-00X	BRKT.,SENSOR	1		/	○
13	KGS-M927A-00X	SENSOR EXIT	1		B	×
14	91312-03006	BOLT HEX.SOCKET HEAD	1	M3X6		
15	91312-04010	BOLT HEX.SOCKET HEAD	4	M4X10		
16	91312-04012	BOLT,HEX.SOCKET HEAD	2	M4X12		
17	97602-04306	SCREW,BIN.HEAD W/W.	1			
18	97602-03310	SCREW,PAN.HEAD W/W.	2			
19	92903-03200	WASHER PLAIN	1			
20	92903-04200	WASHER PLAIN	4			
21						
22						
23						
24						
25						
26						
27						
28						
29						
30						
31						
32						
33						
34						
35						
36						
37						
38						

No.	Part No.	Part Name	Q'ty	Remarks	Rank	Level
39						
40						
41						
42						
43						
44						
45						
46						
47						
48						
49						
50						
51						
52						
53						
54						
55						
56						
57						
58						
59						
60						
61						
62						
63						
64						
65						
66						
67						
68						
69						
70						
71						
72						
73						
74						
75						
76						

KHW/KHV-0709

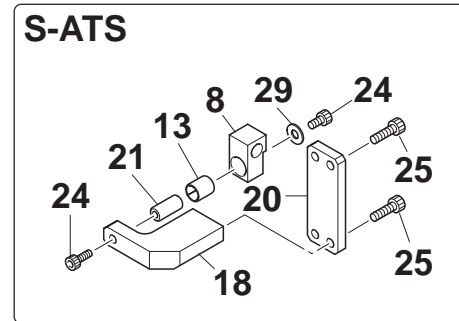
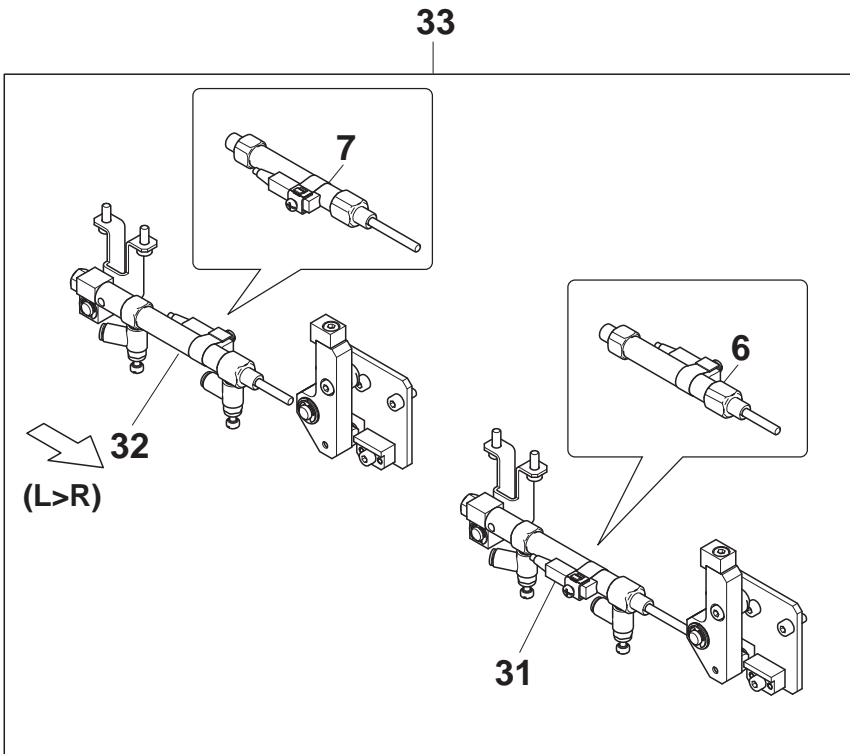
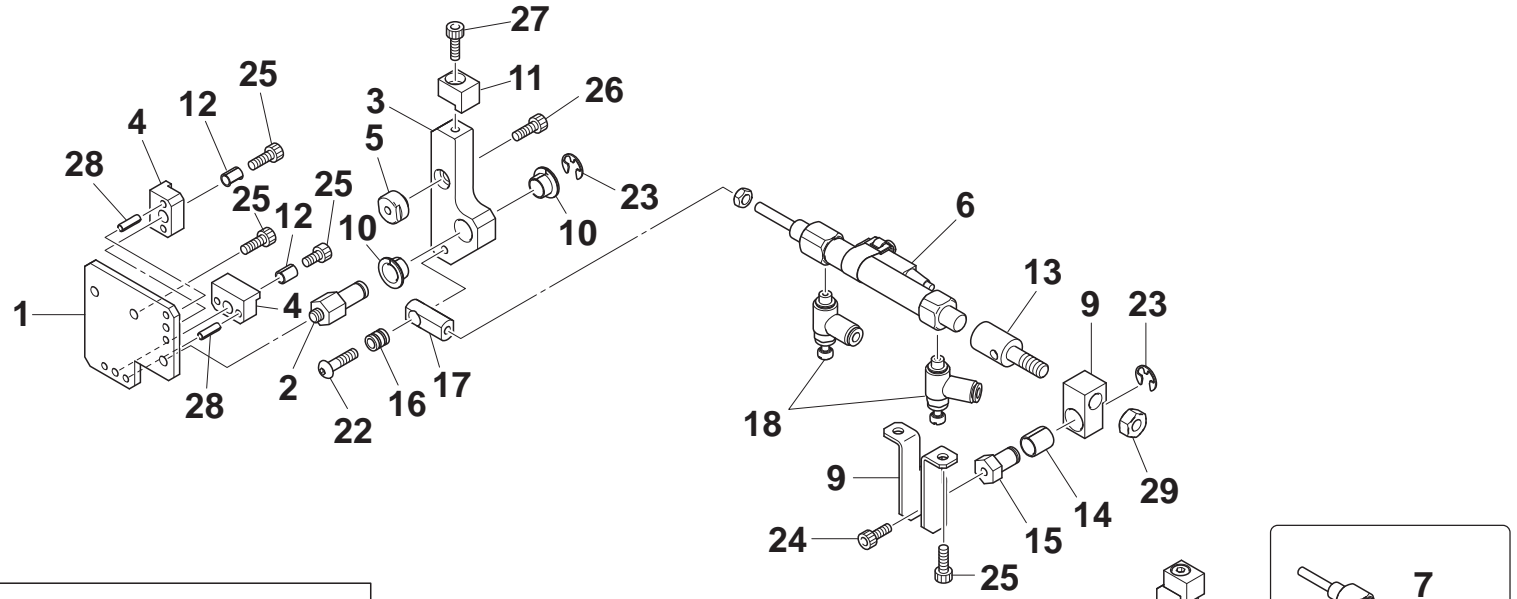
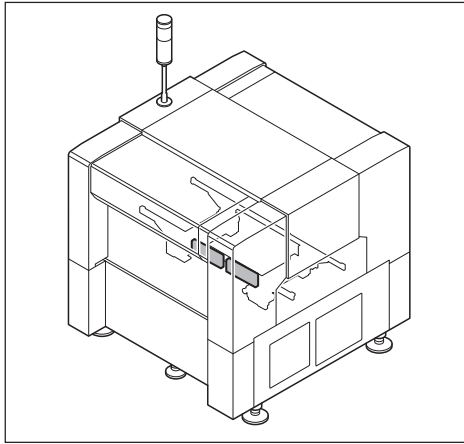


Even if a flow direction changes, the component is the same

No.	Part No.	Part Name	Q'ty	Remarks	Rank	Level
1	KHW-M9161-00X	PLATE A,MAIN STOPPER	1		/	×
2	KHW-M9162-00X	SHAFT,ARM	1		/	×
3	KHW-M9163-00X	ARM,STOPPER	1		/	×
4	KHW-M9164-00X	BLOCK,STOPPER	2		/	○
5	KHW-M9165-00X	PIN,STOPPER	1		/	×
6	KHW-M9166-A0X	CYLINDER ASSY.	1		B	○
7	KHW-M9167-00X	BRKT.,CYL.	1		/	×
8	KHW-M9168-00X	BRKT.,MAIN STP.	1		/	×
9	KHW-M916A-00X	BUSH	2		/	×
10	KHW-M916B-00X	STOPPER	1		/	○
11	KHW-M916C-00X	SPACER	2		/	○
12	KHW-M916D-00X	JOINT,CYL.BRKT	1		/	×
13	KHW-M916E-00X	BUSH	1		/	×
14	KHW-M916F-00X	SHAFT	1		/	×
15	KHW-M916G-00X	COLLAR, JOINT	1		/	×
16	KHW-M916H-00X	JOINT, CYL.	1		/	×
17	KHW-M916L-00X	SPEED CONTROLLER	2		/	×
18	90122-04J016	BOLT BUTTON HEAD	1			
19	90440-10J050	CIRCLIP	2			
20	91312-04008	BOLT HEX.SOCKET HEAD	1	M4X8		
21	91312-04010	BOLT HEX.SOCKET HEAD	6	M4X10		
22	91312-04012	BOLT,HEX.SOCKET HEAD	1	M4X12		
23	91317-04012	BOLT HEX.SOCKET HEAD	1	M4XL12		
24	91609-30010	PIN,SPRING	4			
25	95302-06600	NUT HEXAGON	1			
26						
27						
28						
29						
30						
31						
32						
33						
34						
35						
36						
37						
38						

No.	Part No.	Part Name	Q'ty	Remarks	Rank	Level
39						
40						
41						
42						
43						
44						
45						
46						
47						
48						
49						
50						
51						
52						
53						
54						
55						
56						
57						
58						
59						
60						
61						
62						
63						
64						
65						
66						
67						
68						
69						
70						
71						
72						
73						
74						
75						
76						

KHW/KHV-0709

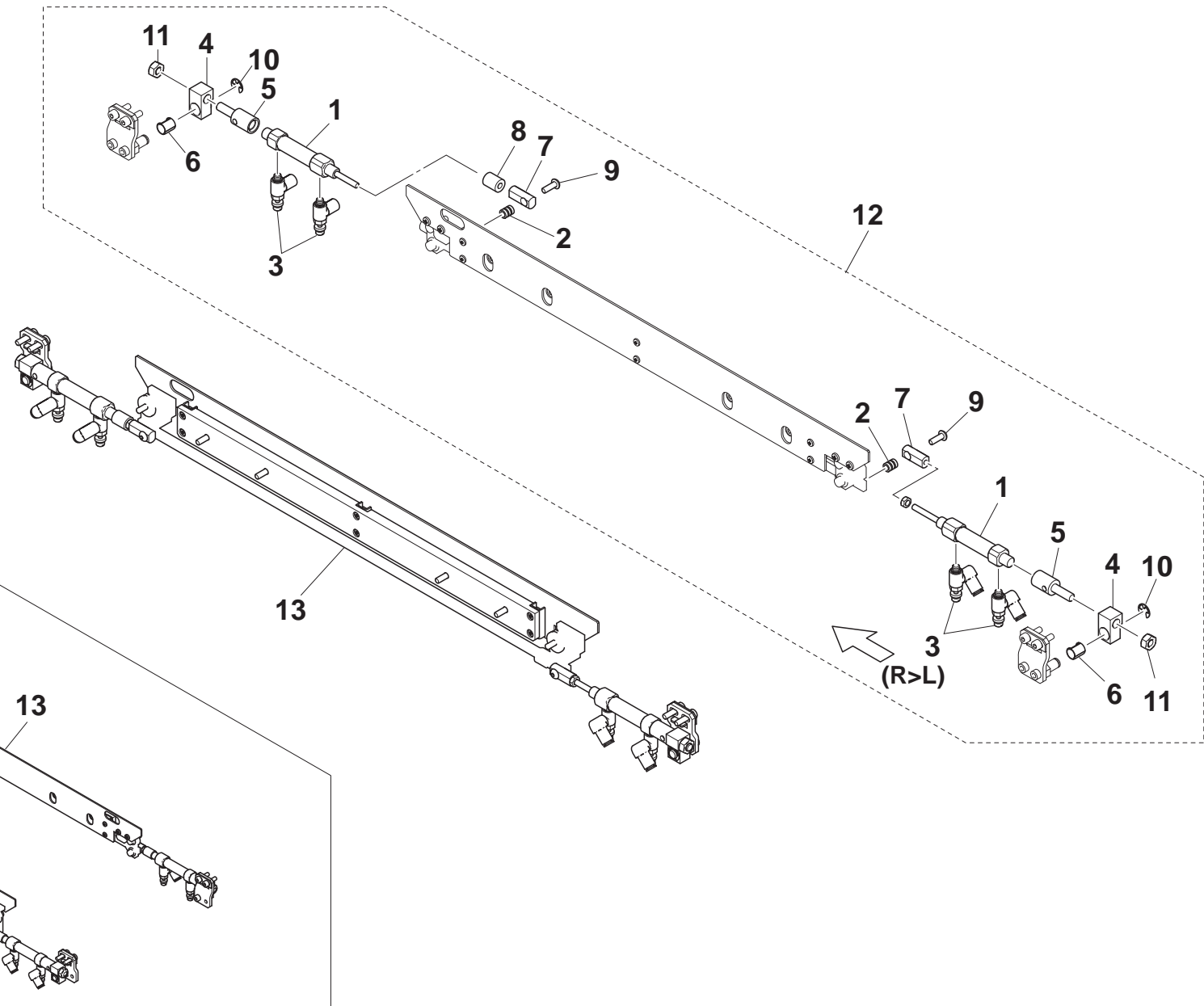
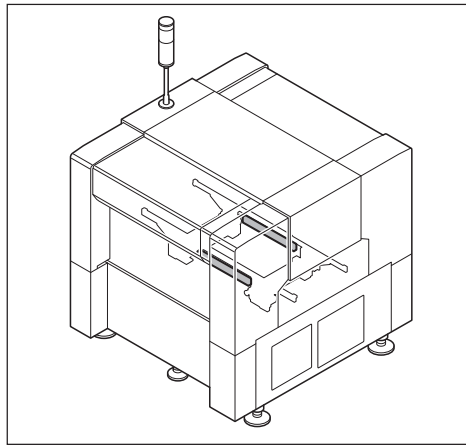


Even if a flow direction changes, the component is the same

No.	Part No.	Part Name	Q'ty	Remarks	Rank	Level
1	KHW-M9161-00X	PLATE A,MAIN STOPPER	1		/	×
2	KHW-M9162-00X	SHAFT,ARM	1		/	×
3	KHW-M9163-00X	ARM,STOPPER	1		/	×
4	KHW-M9164-00X	BLOCK,STOPPER	2		/	○
5	KHW-M9165-00X	PIN,STOPPER	1		/	×
6	KHW-M9166-A0X	CYLINDER ASSY.	1		B	○
7	KHW-M9166-B0X	CYLINDER ASSY.	1		B	×
8	KHW-M9167-00X	BRKT.,CYL.	1		/	×
9	KHW-M9168-00X	BRKT.,MAIN STP.	1		/	×
10	KHW-M916A-00X	BUSH	2		/	×
11	KHW-M916B-00X	STOPPER	1		/	○
12	KHW-M916C-00X	SPACER	2		/	○
13	KHW-M916D-00X	JOINT,CYL.BRKT	1		/	×
14	KHW-M916E-00X	BUSH	1		/	×
15	KHW-M916F-00X	SHAFT	1		/	×
16	KHW-M916G-00X	COLLAR, JOINT	1		/	×
17	KHW-M916H-00X	JOINT, CYL.	1		/	×
18	KHW-M916L-00X	SPEED CONTROLLER	2	S-ATS	/	×
19	KHW-M9169-000	BRKT.1,M.STP.S-ATS	1	S-ATS	/	×
20	KHW-M916J-000	BRKT.2,M.STP.S-ATS	1	S-ATS	/	×
21	KHW-M916K-000	SHAFT	1		/	×
22	90122-04J016	BOLT BUTTON HEAD	1			
23	90440-10J050	CIRCLIP	2			
24	91312-04008	BOLT HEX.SOCKET HEAD	1	M4X8		
25	91312-04010	BOLT HEX.SOCKET HEAD	6	M4X10		
26	91312-04012	BOLT,HEX.SOCKET HEAD	1	M4X12		
27	91317-04012	BOLT HEX.SOCKET HEAD	1	M4XL12		
28	91609-30010	PIN,SPRING	4			
29	95302-06600	NUT HEXAGON	1			
30	92902-04200	WASHER PLAIN	1			
31	KHW-M9160-00X	MAIN STOPPER ASSY.SR	1			
32	KHW-M9160-20X	MAIN STOPPER ASSY.SR	1			
33	KHW-M9160-A0X	MAIN STOPPER ASSY.SR	1			
34						
35						
36						
37						
38						

No.	Part No.	Part Name	Q'ty	Remarks	Rank	Level
39						
40						
41						
42						
43						
44						
45						
46						
47						
48						
49						
50						
51						
52						
53						
54						
55						
56						
57						
58						
59						
60						
61						
62						
63						
64						
65						
66						
67						
68						
69						
70						
71						
72						
73						
74						
75						
76						

KHW/KHV-0709

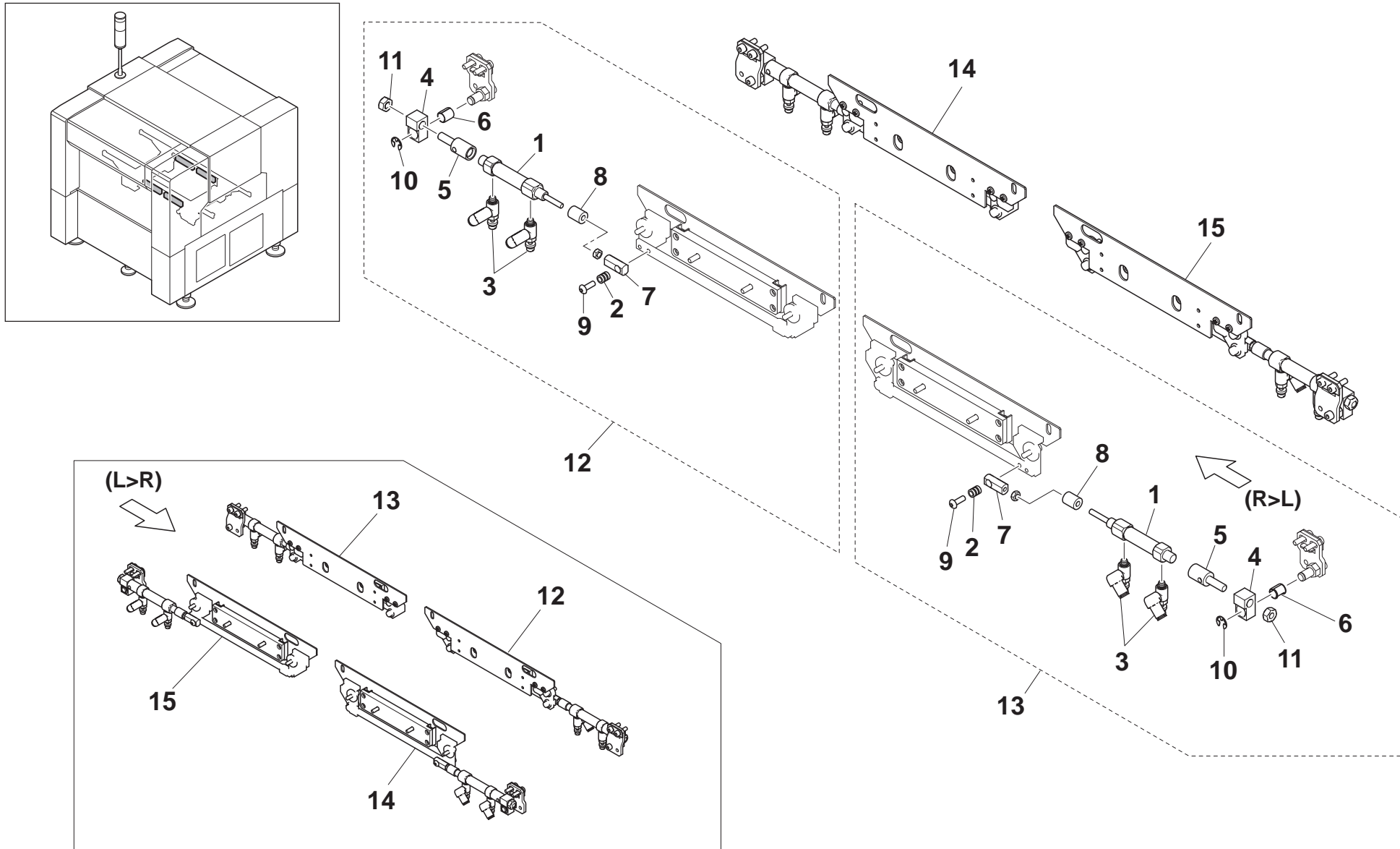


The component in the list is the same.

No.	Part No.	Part Name	Q'ty	Remarks	Rank	Level
1	KHW-M9263-00X	CYLINDER	2		B	×
2	KHW-M926B-00X	COLLAR, JOINT	2		/	×
3	KHW-M9285-00X	SPEED CONTROLLER	4		/	×
4	KHW-M9167-00X	BRKT.,CYL.	2		/	×
5	KHW-M916D-00X	JOINT,CYL.BRKT	2		/	×
6	KHW-M916E-00X	BUSH	2		/	×
7	KHW-M916H-00X	JOINT, CYL.	2		/	×
8	KV7-M926C-01X	STOPPER,CYLNDER	1		/	×
9	90122-04J012	BOLT BUTTON HEAD	2			
10	90440-10J050	CIRCLIP	2			
11	95302-06600	NUT HEXAGON	2			
12	KHW-M9260-00X	CLAMP BOARD SUB ASSY	1			
13	KHW-M9260-10X	CLAMP BOARD SUB ASSY	1			
14						
15						
16						
17						
18						
19						
20						
21						
22						
23						
24						
25						
26						
27						
28						
29						
30						
31						
32						
33						
34						
35						
36						
37						
38						

No.	Part No.	Part Name	Q'ty	Remarks	Rank	Level
39						
40						
41						
42						
43						
44						
45						
46						
47						
48						
49						
50						
51						
52						
53						
54						
55						
56						
57						
58						
59						
60						
61						
62						
63						
64						
65						
66						
67						
68						
69						
70						
71						
72						
73						
74						
75						
76						

KHW/KHV-0709

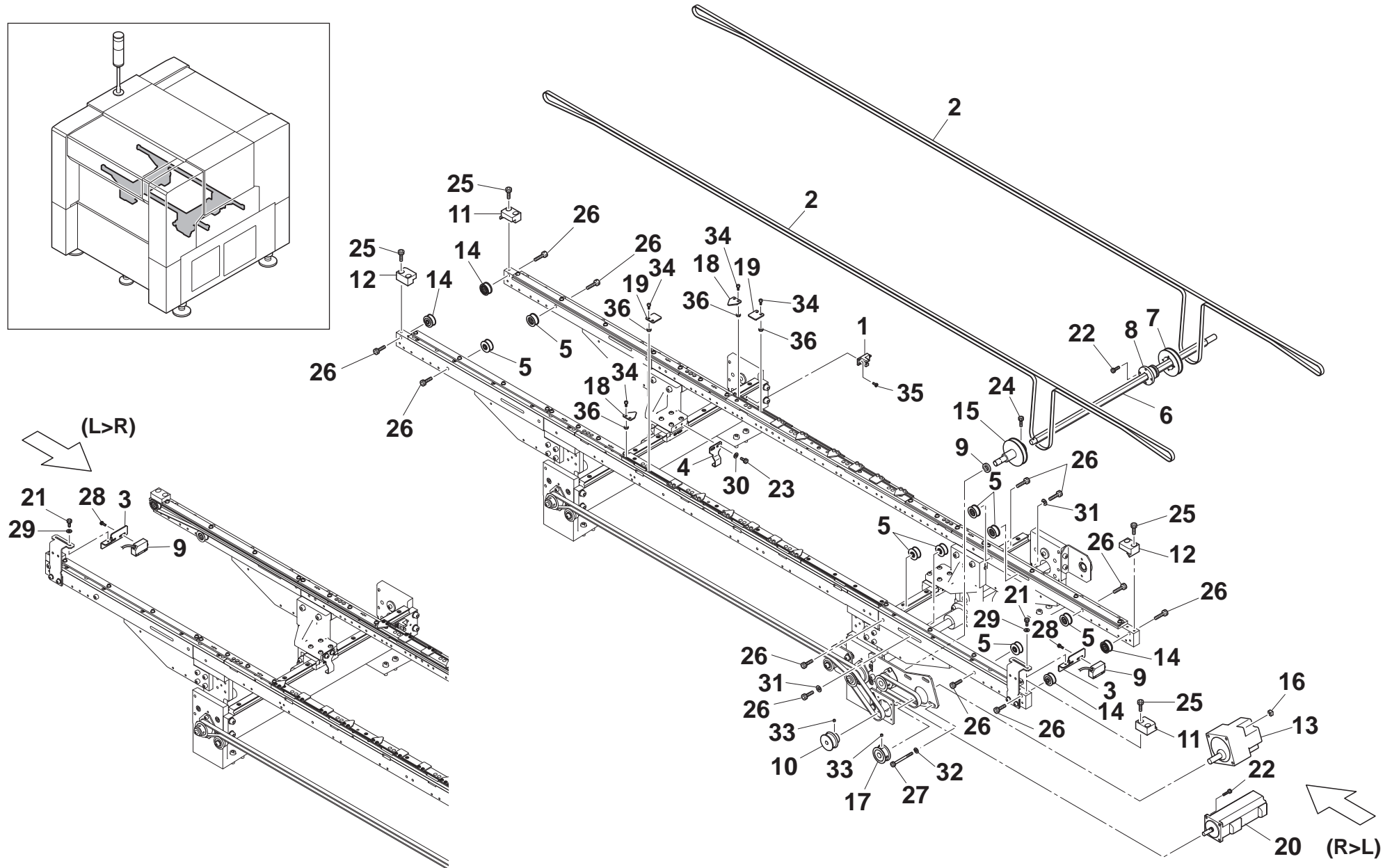
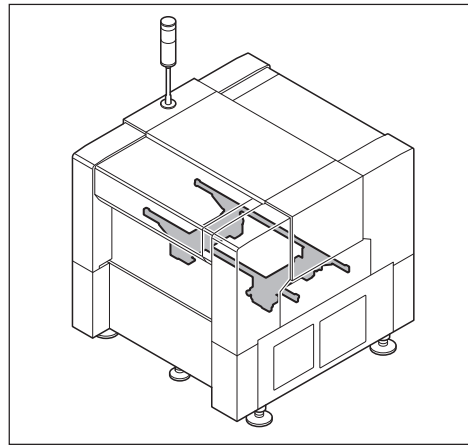


The component in the list is the same.

No.	Part No.	Part Name	Q'ty	Remarks	Rank	Level
1	KHW-M9263-00X	CYLINDER	1		B	×
2	KHW-M926B-00X	COLLAR, JOINT	1		/	×
3	KHW-M9285-00X	SPEED CONTROLLER	2		/	×
4	KHW-M9167-00X	BRKT.,CYL.	1		/	×
5	KHW-M916D-00X	JOINT,CYL.BRKT	1		/	×
6	KHW-M916E-00X	BUSH	1		/	×
7	KHW-M916H-00X	JOINT, CYL.	1		/	×
8	KV7-M926C-01X	STOPPER,CYLNDER	1		/	×
9	90122-04J012	BOLT BUTTON HEAD	1			
10	90440-10J050	CIRCLIP	1			
11	95302-06600	NUT HEXAGON	1			
12	KHW-M9260-20X	CLAMP BOARD SUB ASSY	1			
13	KHW-M9260-30X	CLAMP BOARD SUB ASSY	1			
14	KHW-M9260-40X	CLAMP BOARD SUB ASSY	1			
15	KHW-M9260-50X	CLAMP BOARD SUB ASSY	1			
16						
17						
18						
19						
20						
21						
22						
23						
24						
25						
26						
27						
28						
29						
30						
31						
32						
33						
34						
35						
36						
37						
38						

No.	Part No.	Part Name	Q'ty	Remarks	Rank	Level
39						
40						
41						
42						
43						
44						
45						
46						
47						
48						
49						
50						
51						
52						
53						
54						
55						
56						
57						
58						
59						
60						
61						
62						
63						
64						
65						
66						
67						
68						
69						
70						
71						
72						
73						
74						
75						
76						

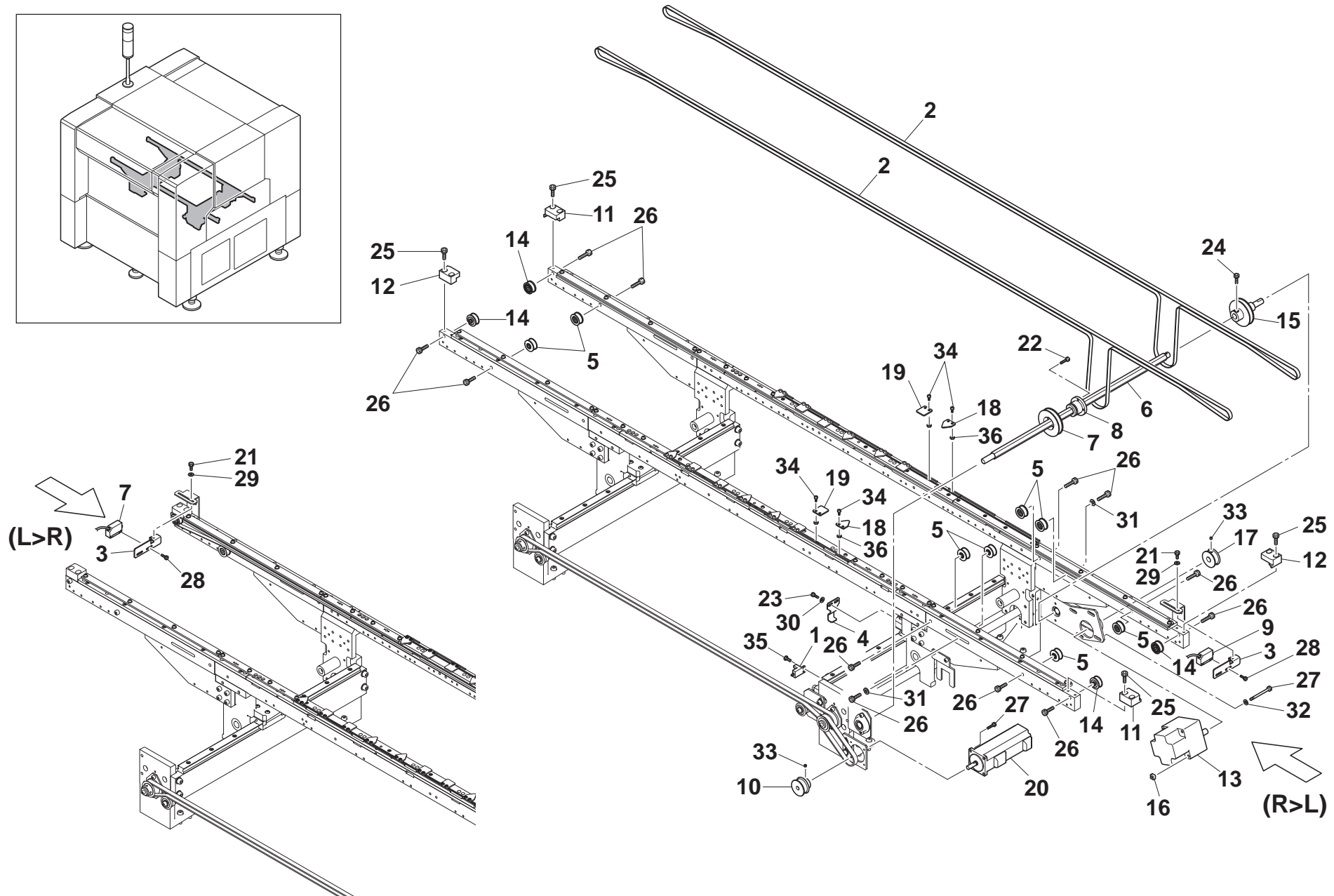
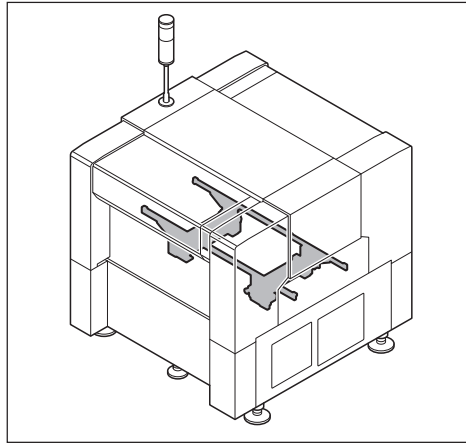
KHW/KHV-0709



No.	Part No.	Part Name	Q'ty	Remarks	Rank	Level
1	KHW-M911F-00X	SENSOR,W1ORG	1		B	×
2	KHW-M9129-00X	BELT 1,CONVEYOR	2		E	○
3	KHW-M912A-00X	BRKT.,SENSOR	1		/	×
4	KHW-M9150-00X	DOG,ORIGIN	1		/	×
5	KV7-M9140-A0X	PULLEY CONV.ASSY.	8		A	○
6	KV7-M9143-00X	SPLINE 1(445)	1		/	×
	KGS-M9143-00X	SPLINE 1(335)	1		/	×
7	KG2-M9105-00X	PULLEY 1,SPLINE	1		/	×
8	KG2-M9108-11X	COLLAR,CONVEYOR	1		/	×
9	KGS-M911A-00X	SENSOR ENT	1		B	×
10	KG7-M9113-01X	PULLEY 3	1		/	×
11	KGA-M9113-00X	GUIDE 1,END	2		/	○
12	KGA-M9114-00X	GUIDE 2,END	2		/	○
13	KGK-M9170-00X	DC MOTOR ASSY.	1		B	○
14	KGS-M9140-A0X	PULLEY CONV.ASSY.	4		A	○
15	KGS-M9142-00X	PULLEY 1,MOTOR	1		/	×
16	KGT-M9193-00X	NUT PLATE	4		/	○
17	KH2-M9105-11X	PULLEY,MOTOR:P30-3GT	2		/	×
18	KGM-M9135-00X	PLATE,EDGE 2	8		/	○
19	KG7-M9136-00X	PLATE,EDGE 3	8		/	○
20	90K63-021606	AC SERVO MOTOR	1		B	×
21	91312-03006	BOLT HEX.SOCKET HEAD	2	M3XL6		
22	91312-03010	BOLT HEX.SOCKET HEAD	4	M3X10		
23	91312-04008	BOLT HEX.SOCKET HEAD	2	M4X8		
24	91312-04010	BOLT HEX.SOCKET HEAD	1	M4X10		
25	91312-04012	BOLT,HEX.SOCKET HEAD	8	M4X12		
26	91312-05020	BOLT HEX.SOCKET HEAD	12	M5XL20		
27	91317-04055	BOLT HEX.SOCKET HEAD	4	M4X55		
28	97602-03310	SCREW,PAN HEAD W/W	4	M3XL10		
29	92902-03200	WASHER PLAIN	29			
30	92902-04200	WASHER PLAIN	6			
31	92902-05200	WASHER PLAIN	8			
32	92907-04200	WASHER PLAIN	4			
33	92A08-04303	SET SCREW	2			
34	98902-03005	SCREW BINDING HEAD	32			
35	98902-03008	SCREW BINDING HEAD	2			
36	95302-03700	NUT HEXAGON	32			
37						

No.	Part No.	Part Name	Q'ty	Remarks	Rank	Level
38						
39						
40						
41						
42						
43						
44						
45						
46						
47						
48						
49						
50						
51						
52						
53						
54						
55						
56						
57						
58						
59						
60						
61						
62						
63						
64						
65						
66						
67						
68						
69						
70						
71						
72						
73						
74						
75						

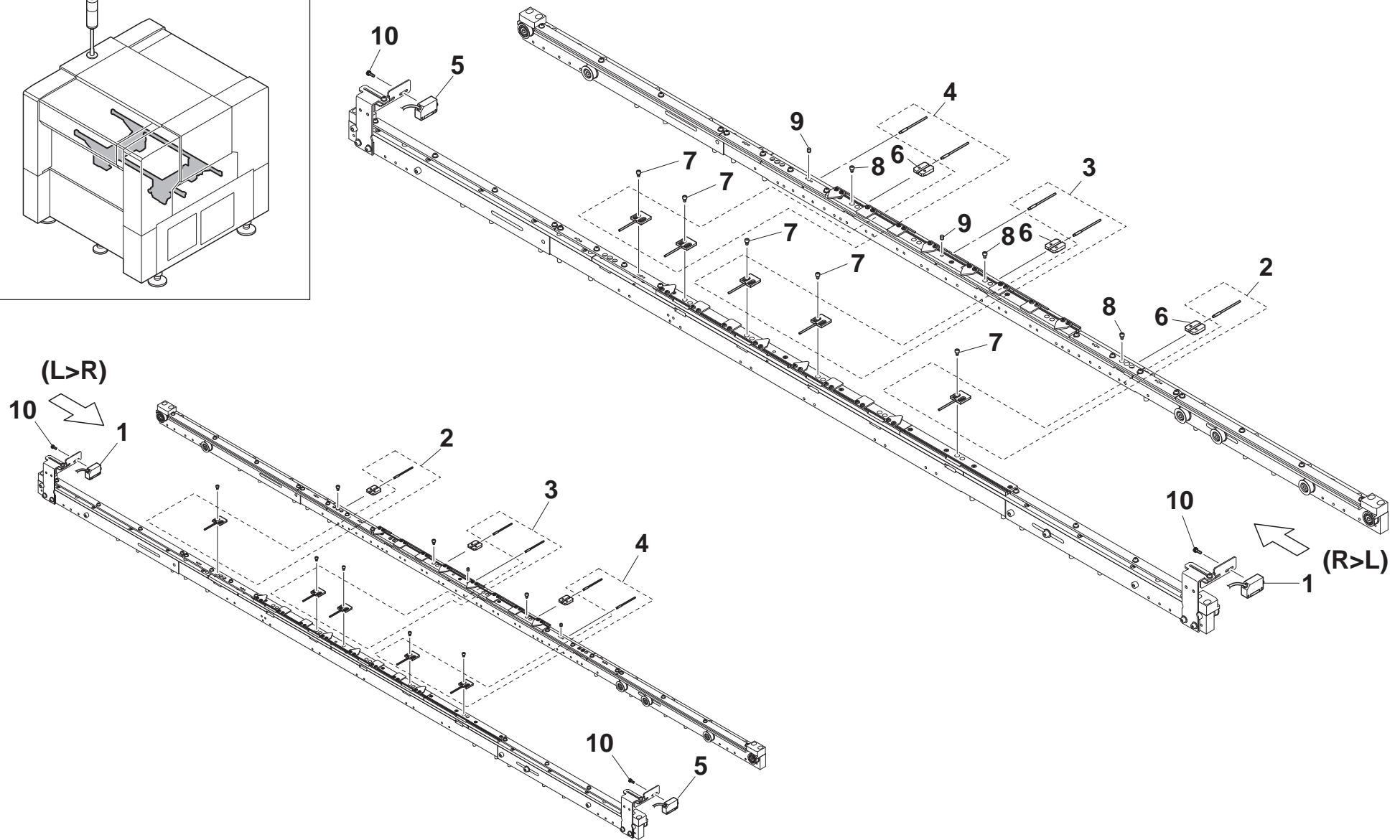
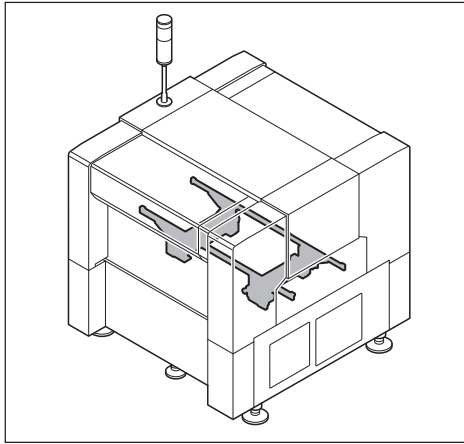
KHW/KHV-0709



No.	Part No.	Part Name	Q'ty	Remarks	Rank	Level
1	KHW-M911F-00X	SENSOR,W1ORG	1		B	×
2	KHW-M9129-00X	BELT 1,CONVEYOR	2		E	○
3	KHW-M912A-00X	BRKT.,SENSOR	1		/	×
4	KHW-M9150-00X	DOG,ORIGIN	1		/	×
5	KV7-M9140-A0X	PULLEY CONV.ASSY.	8		A	○
6	KV7-M9143-00X	SPLINE 1(445)	1		/	×
	KGS-M9143-00X	SPLINE 1(335)	1		/	×
7	KG2-M9105-00X	PULLEY 1,SPLINE	1		/	×
8	KG2-M9108-11X	COLLAR,CONVEYOR	1		/	×
9	KGS-M911A-00X	SENSOR ENT	1		B	×
10	KG7-M9113-01X	PULLEY 3	1		/	×
11	KGA-M9113-00X	GUIDE 1,END	2		/	○
12	KGA-M9114-00X	GUIDE 2,END	2		/	○
13	KGK-M9170-00X	DC MOTOR ASSY.	1		B	○
14	KGS-M9140-A0X	PULLEY CONV.ASSY.	4		A	○
15	KGS-M9142-00X	PULLEY 1,MOTOR	1		/	×
16	KGT-M9193-00X	NUT PLATE	4		/	○
17	KH2-M9105-11X	PULLEY,MOTOR:P30-3GT	2		/	×
18	KGM-M9135-00X	PLATE,EDGE 2	8		/	○
19	KG7-M9136-00X	PLATE,EDGE 3	8		/	○
20	90K63-021606	AC SERVO MOTOR	1		B	×
21	91312-03006	BOLT HEX.SOCKET HEAD	2	M3XL6		
22	91312-03010	BOLT HEX.SOCKET HEAD	4	M3X10		
23	91312-04008	BOLT HEX.SOCKET HEAD	2	M4X8		
24	91312-04010	BOLT HEX.SOCKET HEAD	1	M4X10		
25	91312-04012	BOLT,HEX.SOCKET HEAD	8	M4X12		
26	91312-05020	BOLT HEX.SOCKET HEAD	12	M5XL20		
27	91317-04055	BOLT HEX.SOCKET HEAD	4	M4X55		
28	97602-03310	SCREW,PAN HEAD W/W	4	M3XL10		
29	92902-03200	WASHER PLAIN	29			
30	92902-04200	WASHER PLAIN	6			
31	92902-05200	WASHER PLAIN	8			
32	92907-04200	WASHER PLAIN	4			
33	92A08-04303	SET SCREW	2			
34	98902-03005	SCREW BINDING HEAD	32			
35	98902-03008	SCREW BINDING HEAD	2			
36	95302-03700	NUT HEXAGON	32			
37						

No.	Part No.	Part Name	Q'ty	Remarks	Rank	Level
38						
39						
40						
41						
42						
43						
44						
45						
46						
47						
48						
49						
50						
51						
52						
53						
54						
55						
56						
57						
58						
59						
60						
61						
62						
63						
64						
65						
66						
67						
68						
69						
70						
71						
72						
73						
74						
75						

KHW/KHV-0709

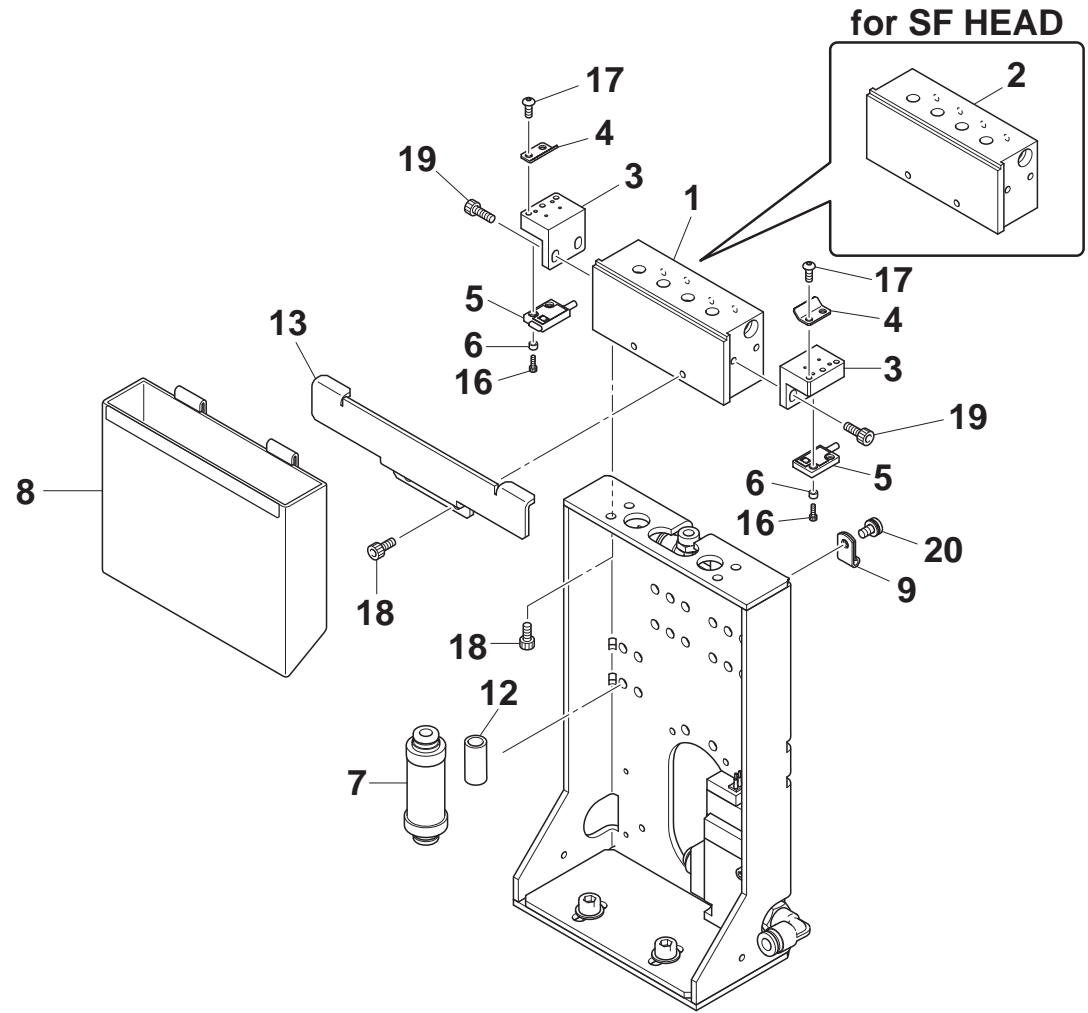
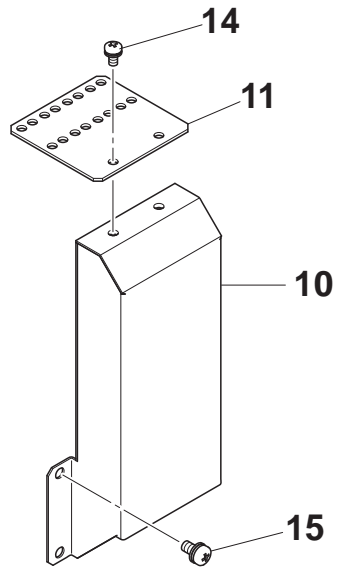
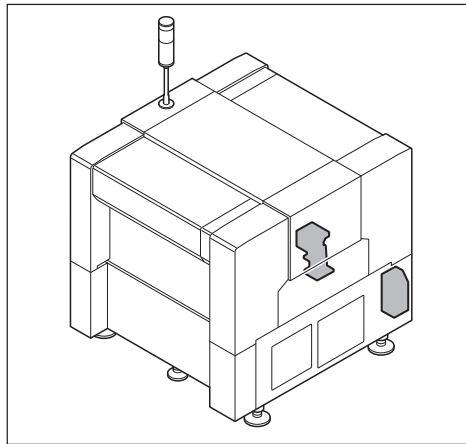


The same as boht side the standorrrds coverey.

No.	Part No.	Part Name	Q'ty	Remarks	Rank	Level
1	KGS-M911A-00X	SENSOR ENT.	1		B	×
2	KHW-M928A-00X	SENSOR WAIT	1		B	×
3	KHW-M911D-B0X	SENSOR POS.2	1	Double PU	B	×
4	KHW-M911D-A0X	SENSOR POS.1	1		B	×
5	KGS-M927A-00X	SENSOR EXIT	1		B	×
6	KHW-M9157-00X	HOLDER,SENSOR	3		/	×
7	91312-03004	BOLT HEX.SOCKET HEAD	10	M3XL4		
8	91312-03008	BOLT HEX.SOCKET HEAD	6	M3X8		
9	92A08-03303	SET SCREW M3X3	2	M3XL3		
10	97602-03310	SCREW,PAN HEAD W/W	4	M3XL10		
11						
12						
13						
14						
15						
16						
17						
18						
19						
20						
21						
22						
23						
24						
25						
26						
27						
28						
29						
30						
31						
32						
33						
34						
35						
36						
37						
38						

No.	Part No.	Part Name	Q'ty	Remarks	Rank	Level
39						
40						
41						
42						
43						
44						
45						
46						
47						
48						
49						
50						
51						
52						
53						
54						
55						
56						
57						
58						
59						
60						
61						
62						
63						
64						
65						
66						
67						
68						
69						
70						
71						
72						
73						
74						
75						
76						

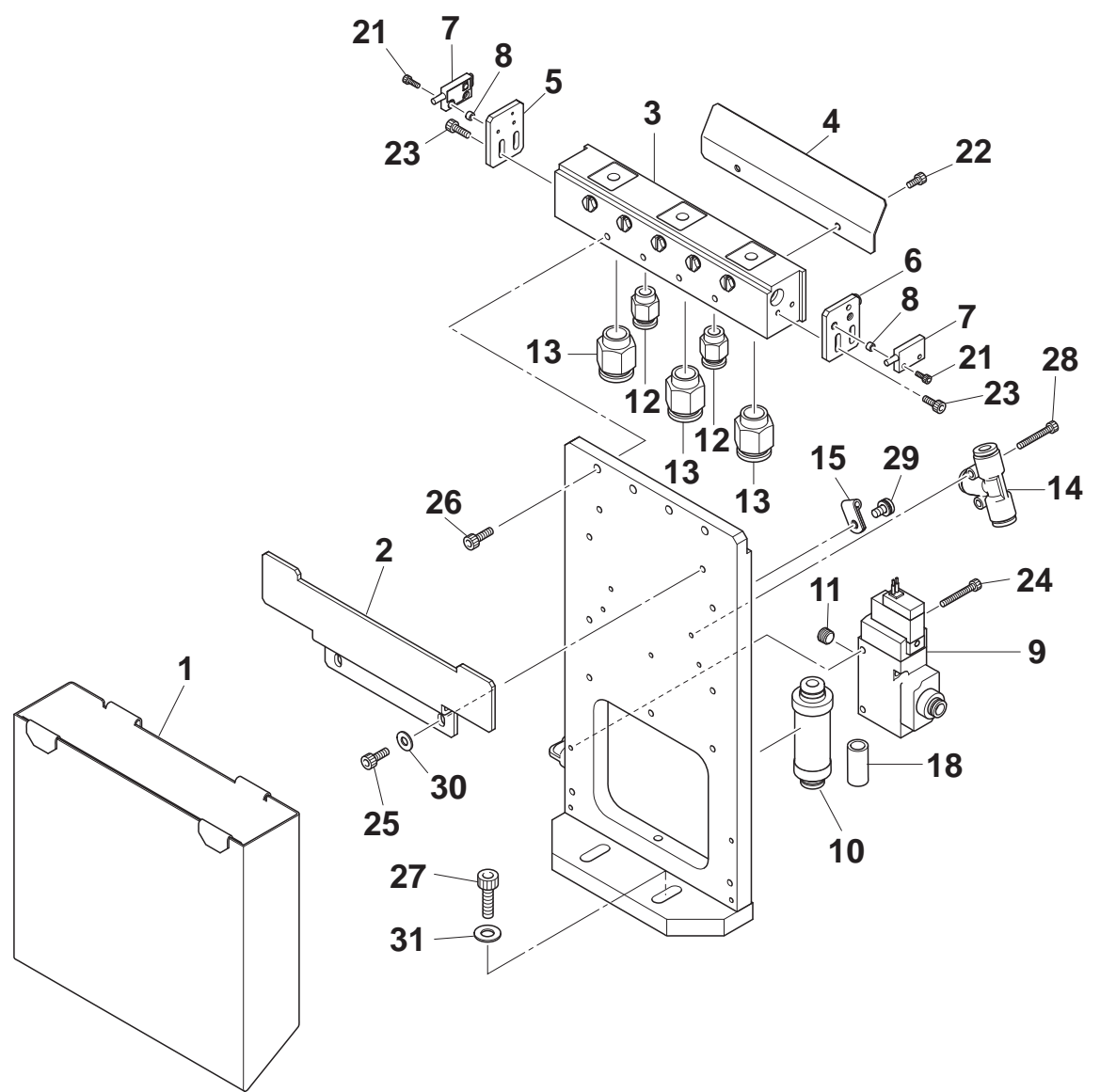
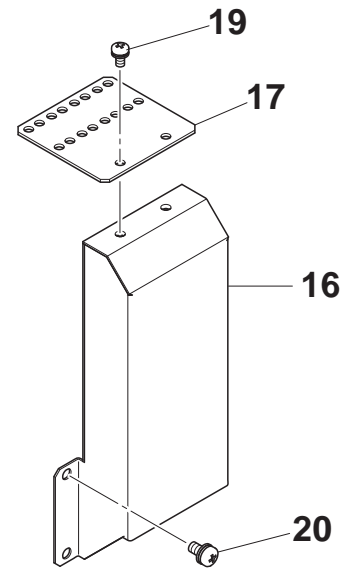
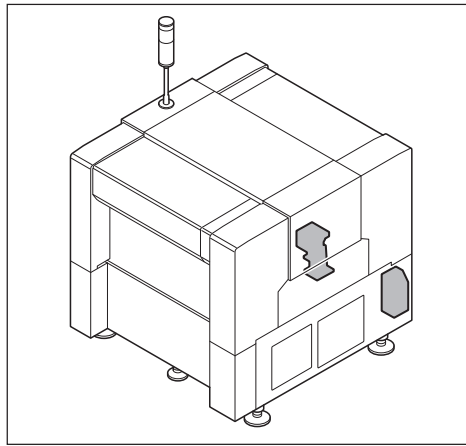
KHW/KHV-0709



No.	Part No.	Part Name	Q'ty	Remarks	Rank	Level
1	KHW-M9903-01X	BLOCK,BLOW ST.	1	FNC	/	×
2	KHW-M9903-50X	BLOCK,BLOW ST.	1	SF	/	×
3	KHW-M9904-00X	BRACKET,SENSOR	2		/	×
4	KHW-M9905-00X	PLATE,REFLECT	2		/	×
5	KHW-M652J-00X	SENSOR,BLOW ST ASSY	1		B	×
6	KV8-M71VS-00X	COLLAR,SENSOR	4		/	×
7	KGR-M9934-01X	INLINE FILTER	1		A	×
8	KGS-M99D0-00X	DUMP BOX ASSY.	1		/	○
9	\$NK-2N	NYLON CLIP	5		/	×
10	KHW-M9931-00X	EXHAUST BOX	1		/	×
11	KHW-M9932-00X	PLATE,TUBE CLAMP	1		/	×
12	KGR-M9934-F0X	FILTER SPARE	1		E	○
13	KHW-M99D3-01X	STAND,DUMP BOX	4		/	○
14	97602-04308	SCREW,PAN HEAD W/W	2		/	×
15	97602-05310	SCREW,PAN HEAD W/W	4		/	×
16	90115-02J006	BOLT HEX.SOCKET HEAD	4			
17	90122-03J008	BOLT BUTTON HEAD	4			
18	91312-04008	BOLT HEX.SOCKET HEAD	4			
19	91317-04010	BOLT HEX.SOCKET HEAD	4			
20	97602-04308	SCREW,PAN HEAD W/W	5			
21						
22						
23						
24						
25						
26						
27						
28						
29						
30						
31						
32						
33						
34						
35						
36						
37						
38						

No.	Part No.	Part Name	Q'ty	Remarks	Rank	Level
39						
40						
41						
42						
43						
44						
45						
46						
47						
48						
49						
50						
51						
52						
53						
54						
55						
56						
57						
58						
59						
60						
61						
62						
63						
64						
65						
66						
67						
68						
69						
70						
71						
72						
73						
74						
75						
76						

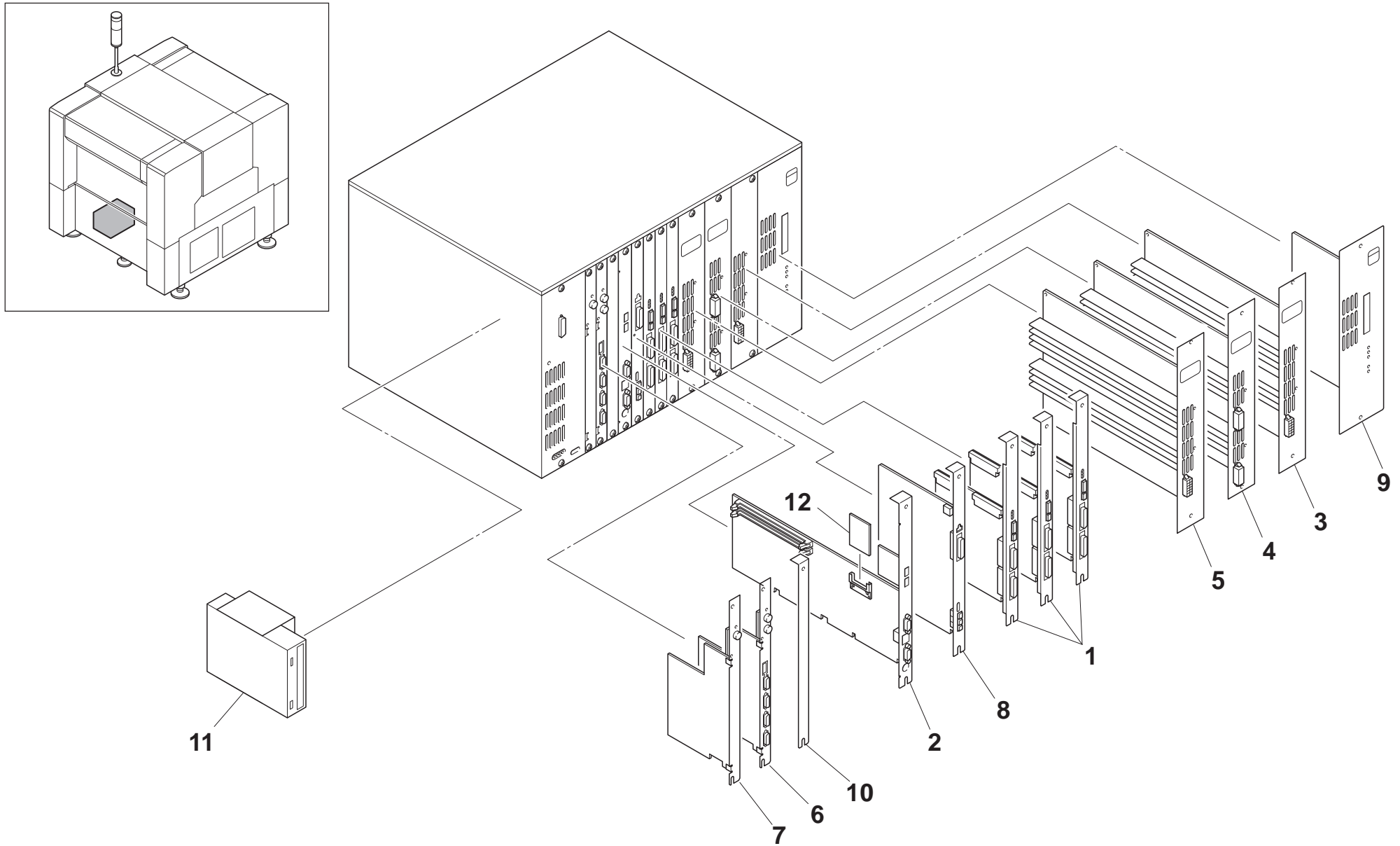
KHW/KHV-0709



No.	Part No.	Part Name	Q'ty	Remarks	Rank	Level
1	KGR-M99D0-00X	DUMP BOX ASSY.	1		/	○
2	KGR-M99D3-00X	STAND,DUMP BOX	1		/	○
3	KGR-M9903-02X	BLOCK,BLOW ST.	1		/	×
4	KGR-M9904-00X	COVER,HEAD	1		/	×
5	KGR-M9905-00X	BRACKET R,SENSOR	1		/	×
6	KGR-M9906-00X	BRACKET L,SENSOR	1		/	×
7	KGS-M9918-A1X	SENSOR ASSY.	1		B	×
8	KV8-M71VS-00X	COLLAR,SENSOR	4		/	×
9	KHW-M9906-A0X	VALVE ASSY.	1		B	×
10	KGR-M9934-01X	INLINE FILTER	1		E	○
11	K40-M8598-10X	PLUG 1	1		/	×
12	\$TS6-01	JOINT	2		/	×
13	\$TS10-02	JOINT	3		/	×
14	\$UT6	JOINT	1		/	×
15	\$NK-2N	NYLON CLIP	6		/	×
16	KHW-M9931-00X	EXHAUST BOX	1		/	×
17	KHW-M9932-00X	PLATE,TUBE CLAMP	1		/	×
18	KGR-M9934-F0X	FILTER SPARE	1		E	○
19	97602-04308	SCREW,PAN HEAD W/W	2		/	×
20	97602-05310	SCREW,PAN HEAD W/W	4		/	×
21	90115-02J006	BOLT HEX.SOCKET HEAD	4			
22	91317-03005	BOLT HEX.SOCKET HEAD	2	M3X5		
23	91317-03010	BOLT HEX.SOCKET HEAD	4	M3XL10		
24	91312-03020	BOLT,HEX.SOCKET HEAD	2	M3X20		
25	91312-04008	BOLT,HEX.SOCKET HEAD	2	M4X8		
26	91312-04012	BOLT HEX.SOCKET HEAD	4	M4X12		
27	91312-06020	BOLT HEX.SOCKET HEAD	2	M6X20		
28	91317-03018	BOLT HEX.SOCKET HEAD	2	M3X18		
29	97602-04308	SCREW,PAN HEAD W/W	6			
30	92902-04200	WASHER PLAIN	2			
31	92902-06200	WASHER PLAIN	2			
32						
33						
34						
35						
36						
37						
38						

No.	Part No.	Part Name	Q'ty	Remarks	Rank	Level
39						
40						
41						
42						
43						
44						
45						
46						
47						
48						
49						
50						
51						
52						
53						
54						
55						
56						
57						
58						
59						
60						
61						
62						
63						
64						
65						
66						
67						
68						
69						
70						
71						
72						
73						
74						
75						
76						

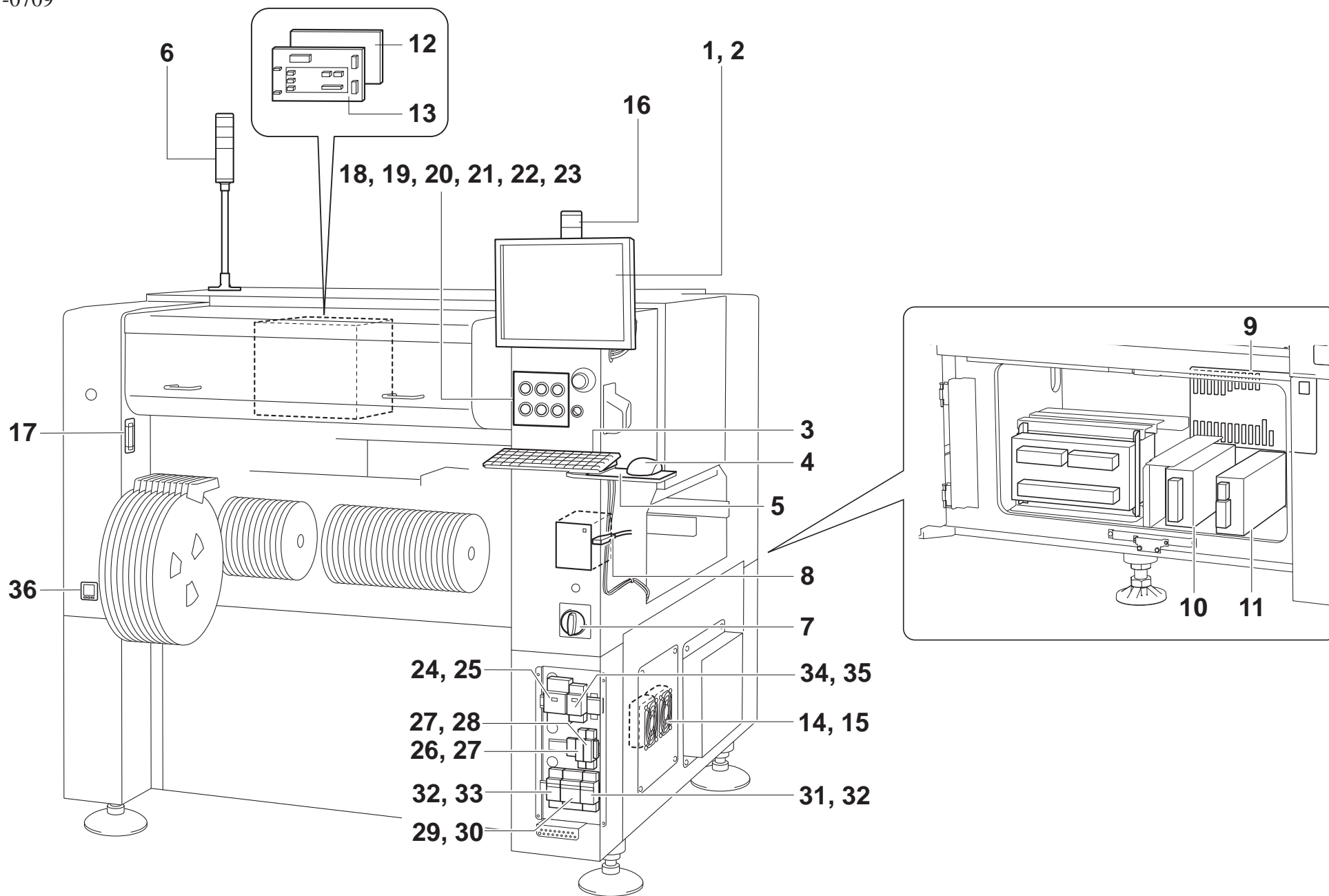
KHW/KHV-0709



No.	Part No.	Part Name	Q'ty	Remarks	Rank	Level
1	KGN-M5840-03X	SERVO BOARD ASSY	3		B	△
2	KGS-M4200-00X	SYSTEM UNIT ASSY	1		B	△
3	KGK-M5810-01X	DRIVER BOARD ASSY	1		B	△
4	KGN-M5810-40X	DRIVER BOARD ASSY	1		B	△
5	KGK-M5810-41X	DRIVER BOARD ASSY	1		B	△
6	KGJ-M441H-03X	VISION BOARD ASSY	1		B	△
7	KGJ-M441H-30X	VISION BOARD ASSY	1		B	△
8	KGS-M4530-11X	REMOTE IF BOARD ASSY	1		B	△
9	KGN-M5880-00X	D.POWER BOARD ASSY	1		B	△
10	KGK-M4136-10X	PANEL NO VISION	1		/	○
11	KW3-M4256-00X	CD-ROM DRIVE	1		B	○
12	KHL-M4255-00X	FLASH DISK	1		B	×
13						
14						
15						
16						
17						
18						
19						
20						
21						
22						
23						
24						
25						
26						
27						
28						
29						
30						
31						
32						
33						
34						
35						
36						
37						
38						

No.	Part No.	Part Name	Q'ty	Remarks	Rank	Level
39						
40						
41						
42						
43						
44						
45						
46						
47						
48						
49						
50						
51						
52						
53						
54						
55						
56						
57						
58						
59						
60						
61						
62						
63						
64						
65						
66						
67						
68						
69						
70						
71						
72						
73						
74						
75						
76						

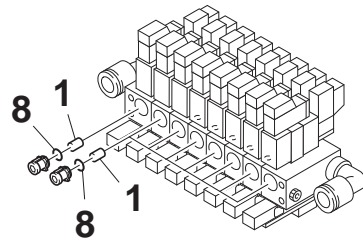
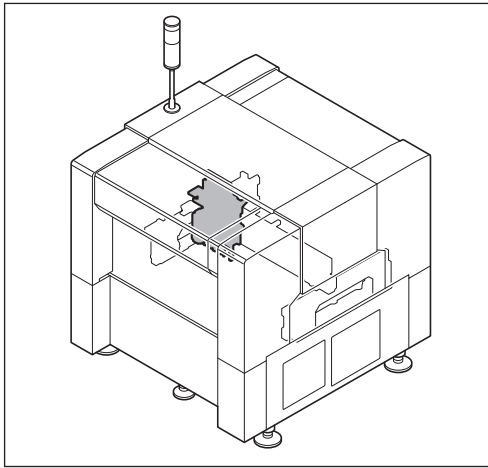
KHW/KHV-0709



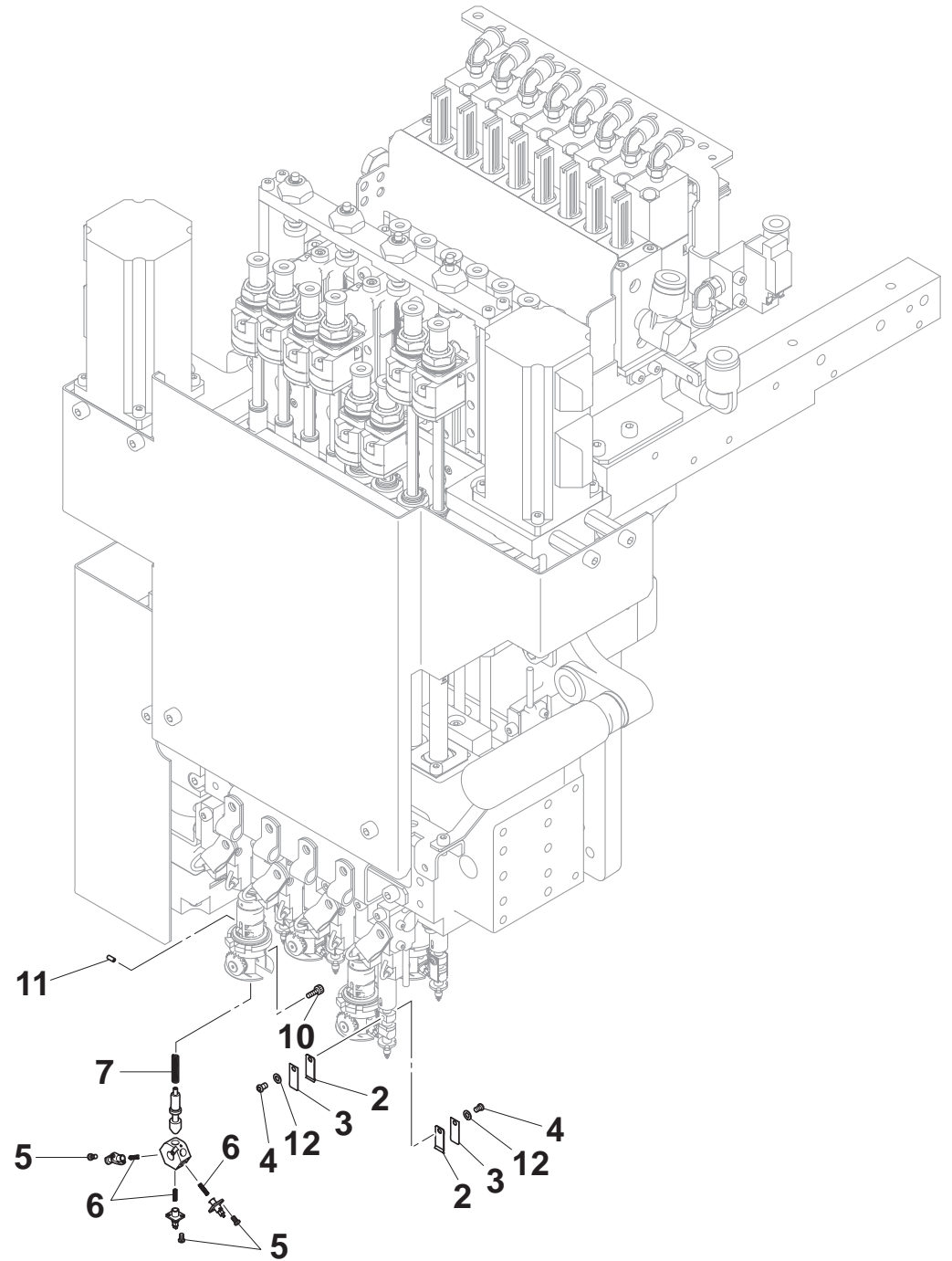
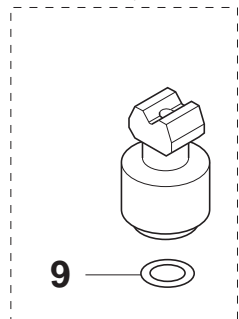
No.	Part No.	Part Name	Q'ty	Remarks	Rank	Level
1	KGT-M5106-01X	15" NORMAL LCD	1	Normal	A	○
2	KGT-M5119-02X	15" TOUCH LCD ASSY.	1	Touch	A	○
3	KW3-M5150-50X	KEYBOARD J	1	Japanese	A	○
	KW3-M5150-60X	KEYBOARD E	1	English	A	○
4	KW3-M5169-04X	MOUSE	1		A	○
5	KGB-M1391-00X	MOUSE PAD	1		A	○
6	KGS-M4899-00X	LIGHT 1 ASSY. (STD)	1	H=1850mm(S.T.D.)	A	○
	KGS-M4899-10X	LIGHT 1 ASSY.	1	H=1900mm	A	○
	KGS-M4899-20X	LIGHT 1 ASSY.	1	H=2000mm	A	○
	KGS-M4899-30X	LIGHT 1 ASSY.	1	H=2100mm	A	○
	KGS-M4899-40X	LIGHT 1 ASSY.	1	H=2200mm	A	○
	KGS-M4899-50X	LIGHT 1 ASSY.	1	H=2300mm	A	○
7	KM5-M6554-10X	MAIN SWITCH	1		B	×
8	KGK-M6690-20X	HNS,USB-MEMORY 2M ASSY	1		B	○
9	KGT-M4582-00X	I/O CONVEYOR BOARD UNIT	1		B	△
10	KHW-M6561-A0X	POWER SUPPLY 1 ASSY.	1	DC48V,600W	/	×
11	KHW-M6561-A0X	POWER SUPPLY 1 ASSY.	1	DC24V,300W,	/	×
12	KGS-M5840-00X	SERBO BOARD ASSY.	1		B	×
13	KGS-M4570-01X	I/O HEAD BOARD ASSY.	1		B	×
14	KGA-M4187-00X	FAN GUARD	4		/	○
15	KHW-M6185-00X	FAN MOTOR ASSY.	2		B	×
16	KGS-M4896-01X	LIGHT ERR. ASSY.	1		A	○
17	KGA-M9802-00X	SENSOR AREA	1			
18	KGA-M669V-04X	HNS,SWITCH ACTIVE	1	Active		
19	KGA-M669V-24X	HNS,SWITCH START	1	Start		
20	KGA-M669V-32X	HNS,SWITCH STOP	1	Stop		
21	KGA-M669V-42X	HNS,SWITCH ERR.CLR.	1	Err		
22	KGA-M669V-14X	HNS,SWITCH READY	1	Reaby		
23	KGA-M669V-54X	HNS,SWITCH RESET	1	Reset		
24	KGS-M6511-00X	MAIN BREAKER,1	1	S.T.D		
	KM8-M6529-12X	PROTECTOR RESIDUAL	1	Leak Breaker	B	×
25	KM8-M539M-10X	PROTECTOR ACCESSARY	1	S.T.D		
	KM8-M539M-11X	PROTECTOR ACCESSARY	1	Leak Breaker	B	×
26	KHA-M6513-00X	CIRCUIT PROTECTOR,3	1			
27	KH1-M539M-40X	PROTECTOR ACCES.1P	2			
28	KK1-M6513-10X	CIRCUIT PROTECTOR 3	1			
29	KH4-M6514-00X	CIRCUIT PROTECTOR 4	1			
30	KM6-M539M-00X	PROTECTOR ACCES.3P	1			

No.	Part No.	Part Name	Q'ty	Remarks	Rank	Level
31	KGS-M6514-00X	CIRCUIT PROTECTOR 4	1			
32	KH1-M539M-30X	PROTECTOR ACCES.2P	2			
33	KGA-M6513-10X	C.P.(2POLE 15A)	1			
34	KV7-6515-00X	AUTO BREAKER	1			
35	KHU-M539M-00X	PROTECTOR ACCESSART	1			
36	KHU-M8596-00X	PRESSURE GAGE	1			
37						
38						
39						
40						
41						
42						
43						
44						
45						
46						
47						
48						
49						
50						
51						
52						
53						
54						
55						
56						
57						
58						
59						
60						
61						
62						
63						
64						
65						
66						
67						
68						

KHW/KHV-0709



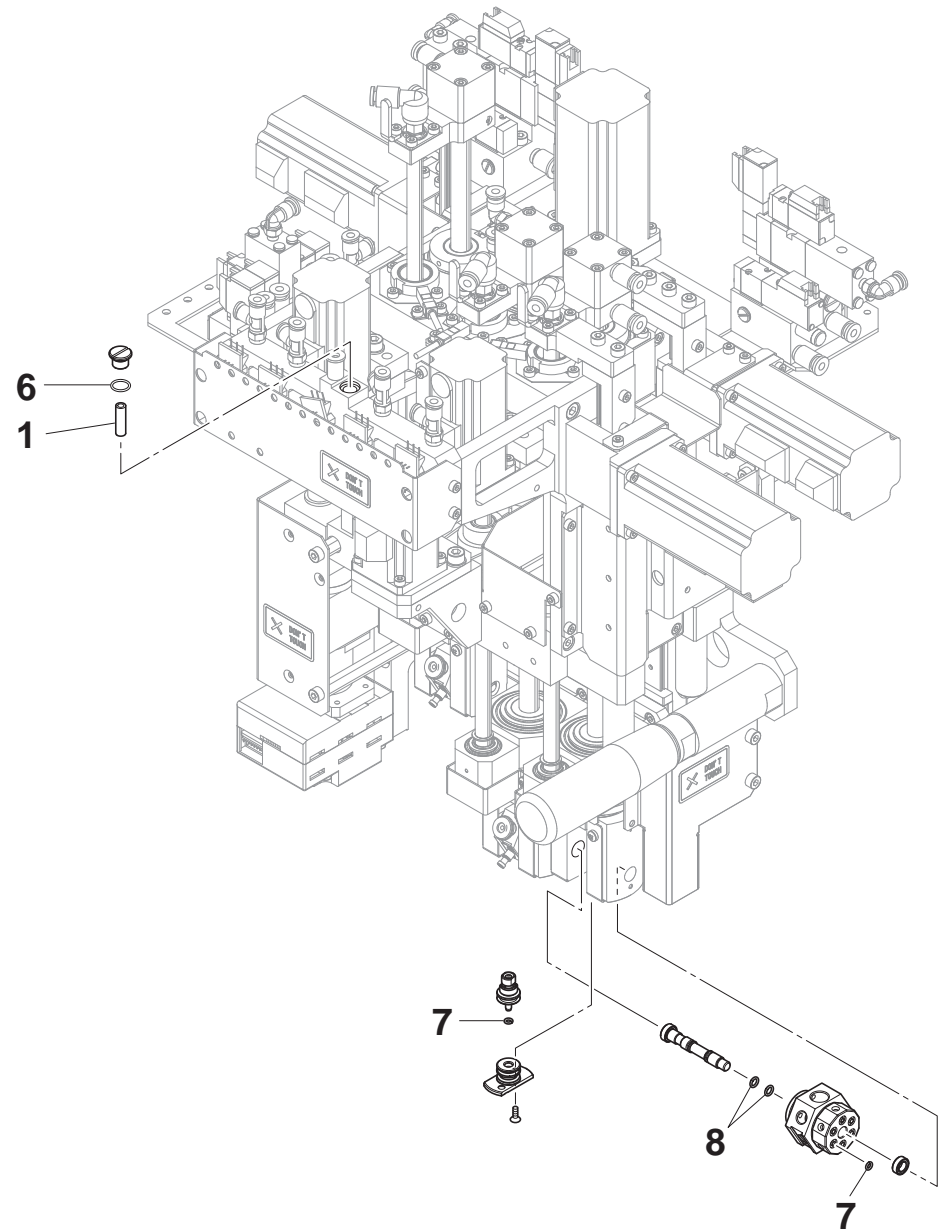
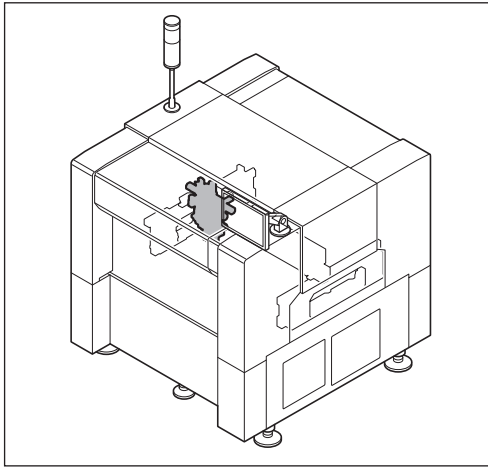
Nozzle Type74A



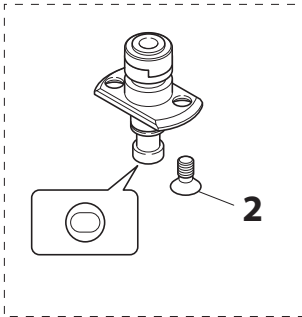
No.	Part No.	Part Name	Q'ty	Remarks	Rank	Level
1	K46-M8527-C0X	FILTER	8			
2	KG7-M7137-A0X	LEAF SPRING	8			
3	KGS-M714W-03X	PLATE SPRING	8			
4	KG7-M7169-00X	SCREW	8			
5	KV8-M71U5-00X	SCREW	24			
6	KV8-M71U7-00X	SPRING	8			
7	KV8-M71X1-00X	SPG.LOCATE	10			
8	90990-17J010	O-RING	8			
9	90990-17J013	O-RING	4			
10	90990-01J031	BOLT HEX.SOCKET HEAD	10			
11	90990-02J009	SCREW SET	10			
12	90990-28J002	WASHER PLAIN	8			
13						
14						
15						
16						
17						
18						
19						
20						
21						
22						
23						
24						
25						
26						
27						
28						
29						
30						
31						
32						
33						
34						
35						
36						
37						
38						

No.	Part No.	Part Name	Q'ty	Remarks	Rank	Level
39						
40						
41						
42						
43						
44						
45						
46						
47						
48						
49						
50						
51						
52						
53						
54						
55						
56						
57						
58						
59						
60						
61						
62						
63						
64						
65						
66						
67						
68						
69						
70						
71						
72						
73						
74						
75						
76						

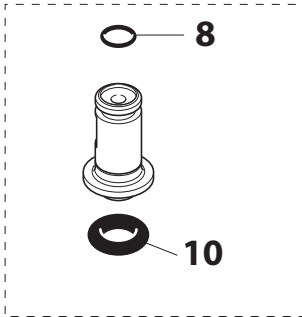
KHW/KHV-0709



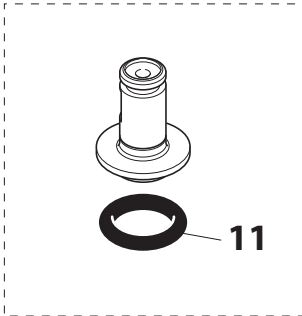
Nozzle Type223F



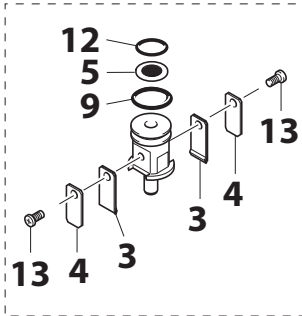
Nozzle Type224F



Nozzle Type225F



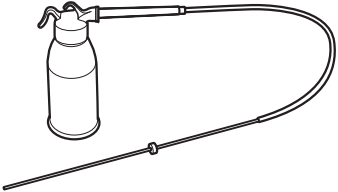
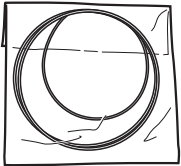
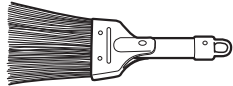



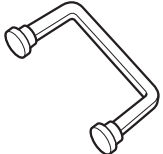
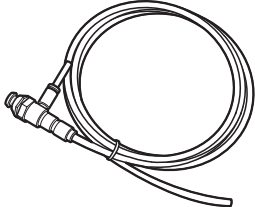
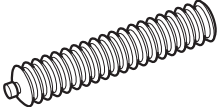

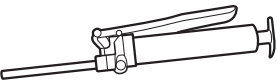


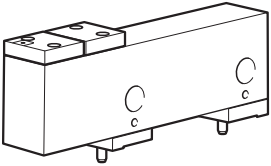
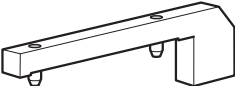
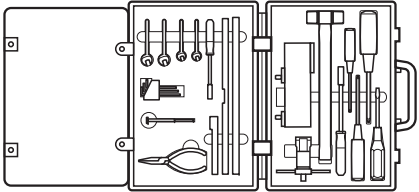
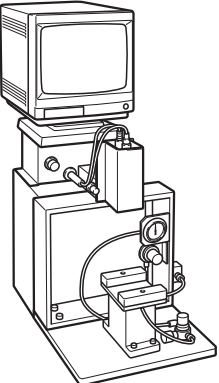
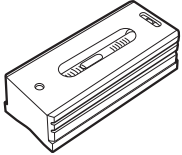
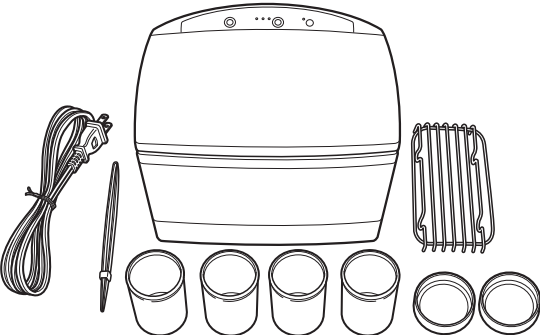
Nozzle Holder



No.	Part No.	Part Name	Q'ty	Remarks	Rank	Level
1	K46-M8527-C0X	FILTER(SZ65111)	1			
2	KV7-M71M6-01X	SCREW,NOZZLE	6			
3	KGR-M71M3-00X	LEAF SPRING	4			
4	KGS-M714W-03X	PLATE,SPRING	4			
5	KGR-M71M4-00X	PLATE,MESH	1			
6	90990-17J008	O-RING	1			
7	90200-02J025	O-RING	7			
8	90200-02J038	O-RING	2			
9	90200-02J065	O-RING	24			
10	90990-17J013	O-RING	5			
11	90990-17J014	O-RING	3			
12	90990-17J027	O-RING	5			
13	90990-08J002	SCREW,PAN HAED	4			
14						
15						
16						
17						
18						
19						
20						
21						
22						
23						
24						
25						
26						
27						
28						
29						
30						
31						
32						
33						
34						
35						
36						
37						
38						

No.	Part No.	Part Name	Q'ty	Remarks	Rank	Level
39						
40						
41						
42						
43						
44						
45						
46						
47						
48						
49						
50						
51						
52						
53						
54						
55						
56						
57						
58						
59						
60						
61						
62						
63						
64						
65						
66						
67						
68						
69						
70						
71						
72						
73						
74						
75						
76						

KHW/KHV-0709

1	KV8-M8860-00X	2	KV8-M8883-A0X	3	KV7-M8880-20X	4	KGA-M3801-00X	5	KGA-M3803-00X
									
6	KGA-M3802-00X	7	KV8-M8881-A0X	8	KU4-M8590-00X	9	K48-M3856-00X	10	KV8-M8870-00X
									
11	K48-M3852-00X	12	K48-M3857-00X	13	K48-M3854-00X	14	KM8-M34E0-B1X	15	KJ3-MY010-00X
									
16	KJ3-MJA00-00X	17	KJ3-M34E0-01X	18	KV7-M3823-00X	19	KV7-M8890-00X		
									

No.	Part No.	Part Name	Uses
1	KV8-M8860-00X	CLEANING KIT	Spline shaft cleaner kit
2	KV8-M8883-A0X	NEEDLE ASSY	Nozzle cleaning wire
3	KV7-M8880-20X	BRUSH, FEEDER	Feeder plate cleaning brush
4	KGA-M3801-00X	CLEANER, LENS	Lens cleaner
5	KGA-M3803-00X	BLOWER	Lens blow brush
6	KGA-M3802-00X	SWAB	Cotton swab sticks
7	KV8-M8881-A0X	NEEDLE CLEANER ASSY	Nozzle cleaning wire handle
8	KU4-M8590-00X	AIR GUN ASSY	Air blow gun
9	K48-M3856-00X	GREASE PACK	Lithium-based grease (NSL 80g)
10	KV8-M8870-00X	SYRINGE OIL	Oil syringe applicator for nozzle holder
11	K48-M3852-00X	GREASE GUN	Grease gun
12	K48-M3857-00X	GREASE NOZZLE	Grease gun nozzle
13	K48-M3854-00X	GREASE NOZZLE	Grease gun nozzle
14	KM8-M34E0-B1X	FEEDER JIG ASSY	Check and adjust pickup position
15	KJ3-MY010-00X	MASTER JIG	Adjust the feeder floating detect sensor
16	KJ3-MJA00-00X	TOOL CASE ASSY	Tool set for exchanging and adjusting tape feeders
17	KJ3-M34E0-01X	JIG FEEDER PICK POS	Check and adjust the pickup position on tape feeders with monitor
18	KV7-M3823-00X	FLAT LEVEL 0.1mm/m	Adjust the machine in the horizontal position
19	KV7-M8890-00X	ULTRAS. CLEANER SET	For nozzle cleaning
20			
21			
22			
23			
24			
25			
26			
27			
28			
29			
30			
31			
32			
33			

No.	Part No.	Part Name	Uses
34			
35			
36			
37			
38			
39			
40			
41			
42			
43			
44			
45			
46			
47			
48			
49			
50			
51			
52			
53			
54			
55			
56			
57			
58			
59			
60			
61			
62			
63			
64			
65			
66			
67			
68			
69			
70			
71			

Yamaha Motor Co., Ltd. Company

All rights reserved by Yamaha Motor Co., Ltd. This Parts List shall not be displayed, reproduced, copied, reprinted or extracted in whole or in part unless specifically permitted by Yamaha Motor Co., Ltd. in writing.