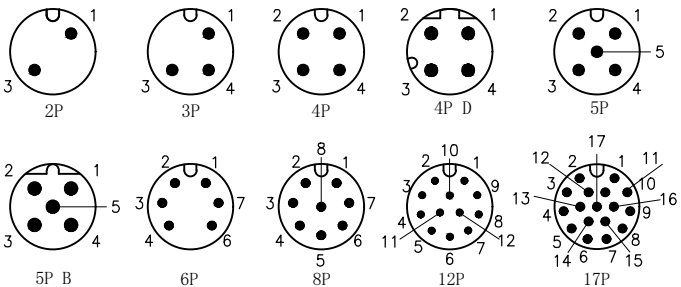
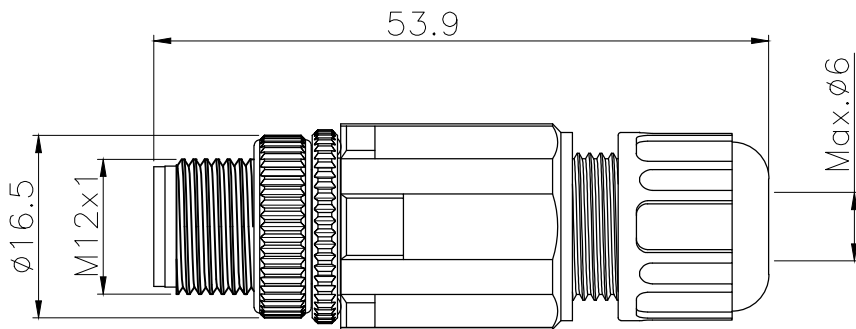
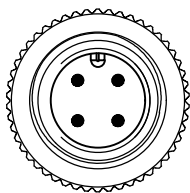


芯位排布 Cores layout



芯数 core	2	3	4	4D	5	5B	6	8	12	17
额定电流/电压 Rated current/voltage	4A/250V	4A/250V	4A/250V	4A/250V	4A/60V	4A/60V	2A/30V	2A/30V	1.5A/30V	1.5A/30V
额定脉冲电压 Rated Pulse Voltage	2500V	2500V	2500V	2500V	1500V	1500V	800V	800V	800V	800V
绝缘电阻 (MΩ) Insulation resistance	≥ 100	≥ 100	≥ 100	≥ 100	≥ 100	≥ 100	≥ 100	≥ 100	≥ 100	≥ 100
接触电阻 (mΩ) Contact resistance	≤ 5	≤ 5	≤ 5	≤ 5	≤ 5	≤ 5	≤ 5	≤ 5	≤ 5	≤ 5



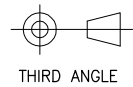
技术参数 specifications

**Connection** 连接方式: 螺纹连接 threaded connection  
**Wiring Method** 接线方式: 焊线 soldering wire  
 Contamination level 污染等级: 3  
 Temp 温度范围: -40°C ~ +80°C  
 Protection level 防护等级: IP67  
 Plug life 插拔周期: ≥500

外壳材料: 尼龙, 黑色  
Shield Nylon, black  
 接触体材料: 铜, 镀金  
Contact Brass, gold plated  
 绝缘体材料: 增强尼龙, 黑色  
Insulation Enhanced nylon, black  
 密封材料: 橡胶, 黑色  
Sealing material Rubber, black

GENERAL TOLERANCE (UNLESS SPECIFIED)

≤10 ±0.1  
 <10~≤20 ±0.2  
 <20~≤50 ±0.5  
 Angle ±1°



DWN	DATE
W.M	2024.6.20
CHK	DATE
APVD	DATE
UNIT	REV
MM	A
SIZE	SHEET
A4	1 OF 1



TITLE M12 straight pin plastic assembly plugs Solder wire type Outlet hole OD: 6.0  
 PART NO  
 DRAWING NO  
 ULO-M12-Pxx-PWAP7