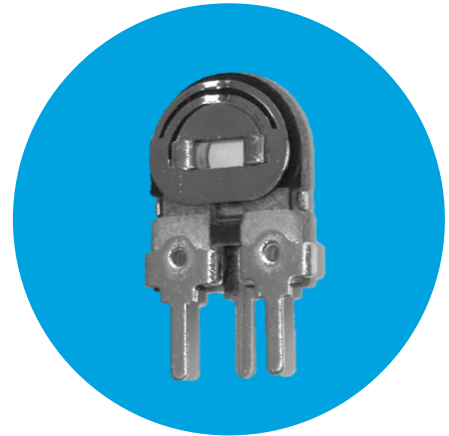


Carbon composition film preset potentiometers

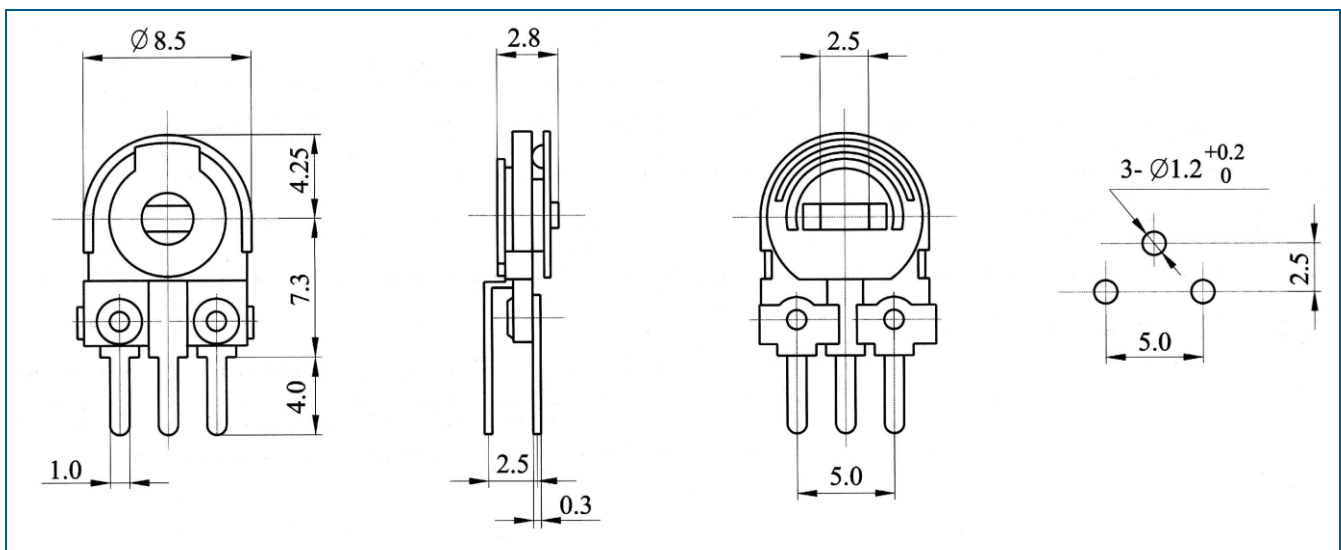


Series 10

Type SR 083-2

Ordering code no.: 00 010

Basic design: laminate base



Technical data

Rated resistance range	200 Ω - 1 M Ω	Limiting element voltage	100 V
Resistance tolerance	$\pm 30\%$ *	Electrical travel	240° \pm 15°
Law (resistance taper)	lin	Mechanical travel	260° \pm 10°
Rated dissipation	0.1 W / 50 °C	Temperature range	-10 °C to +70 °C
Durability	100 cycles		

* other values on request