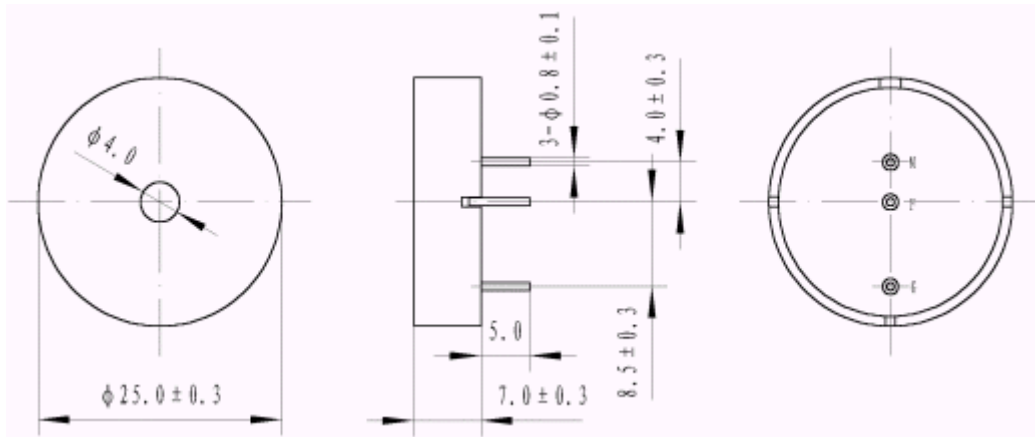
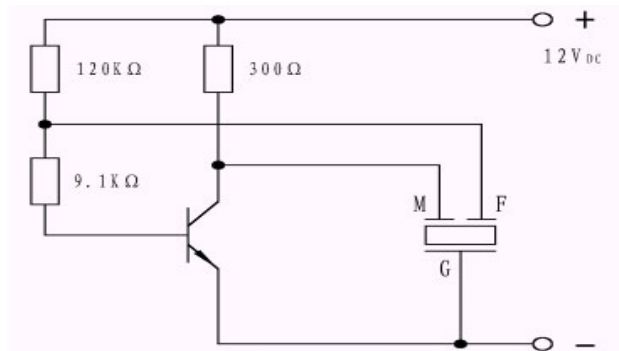
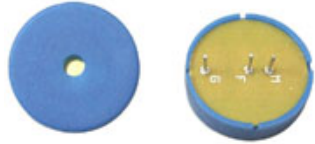


FBPB2507规格书



SPECIFICATIONS

Model No.	FBPB2507
Rated Voltage (VDC)	12
Operating Voltage (VDC)	3~24
*Rated Current (mA)	≤15
*Sound Output at 10 cm (dB)	≥85
*Resonant Frequency (Hz)	3600±500
Operating Temperature (°C)	-20 ~ +70
Storage Temperature (°C)	-30 ~ +80
Weight (g)	2.5
Case material and colour	ABS/Blue
*Value applying rated voltage (DC)	